

# SELF-CENTRING CHUCK STRUCTURE

## 「自定心卡盘结构」



### 爪的种类

### DIFFERENT TYPES OF JAWS

#### 整体爪 ONE-PIECE JAWS

#### 分离爪 TWO-PIECE JAWS



软爪  
SOFT JAW



正爪  
INTERNAL JAW



反爪  
EXTERNAL JAW



软顶爪(平)  
SOFT TOP JAW



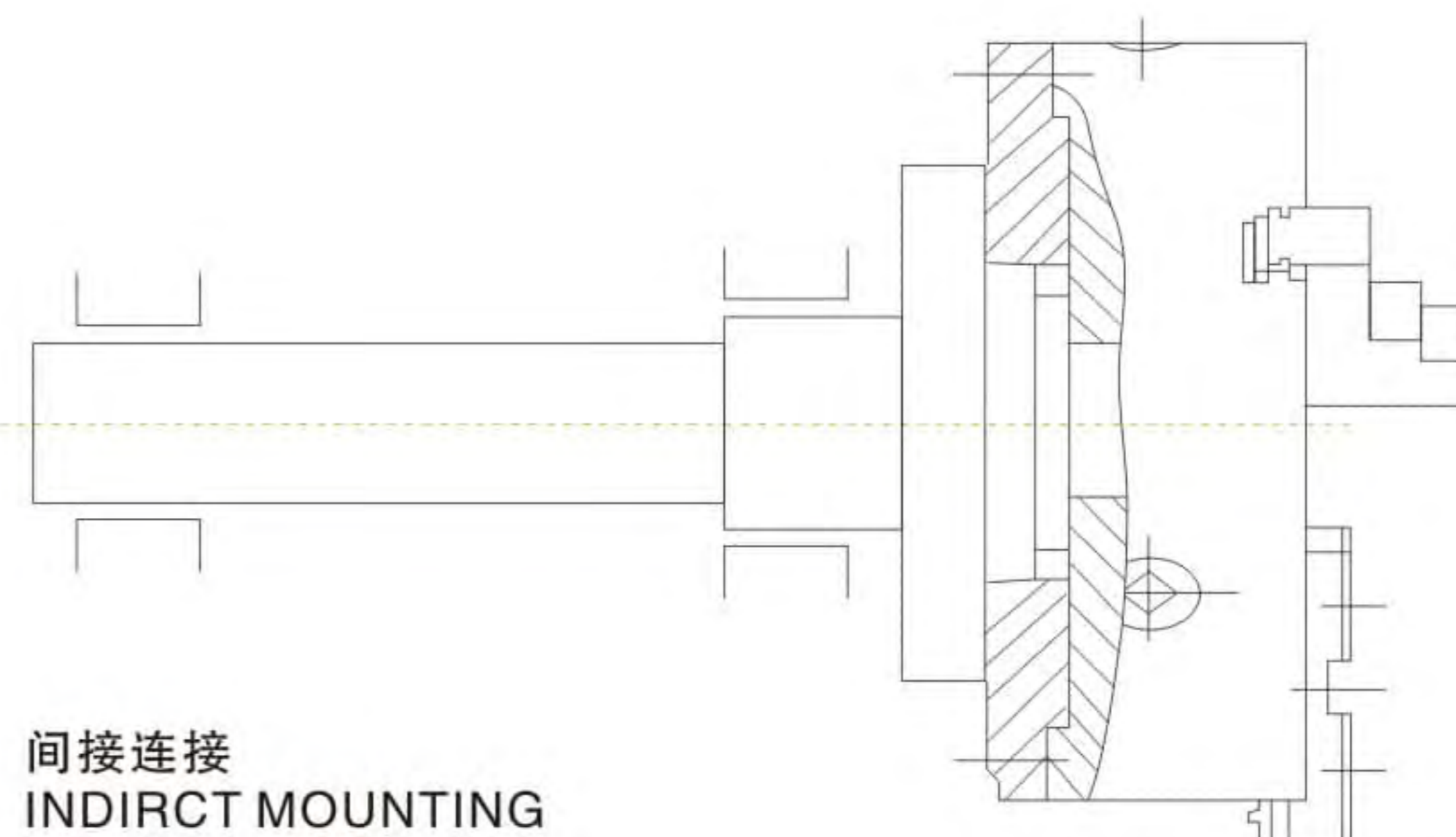
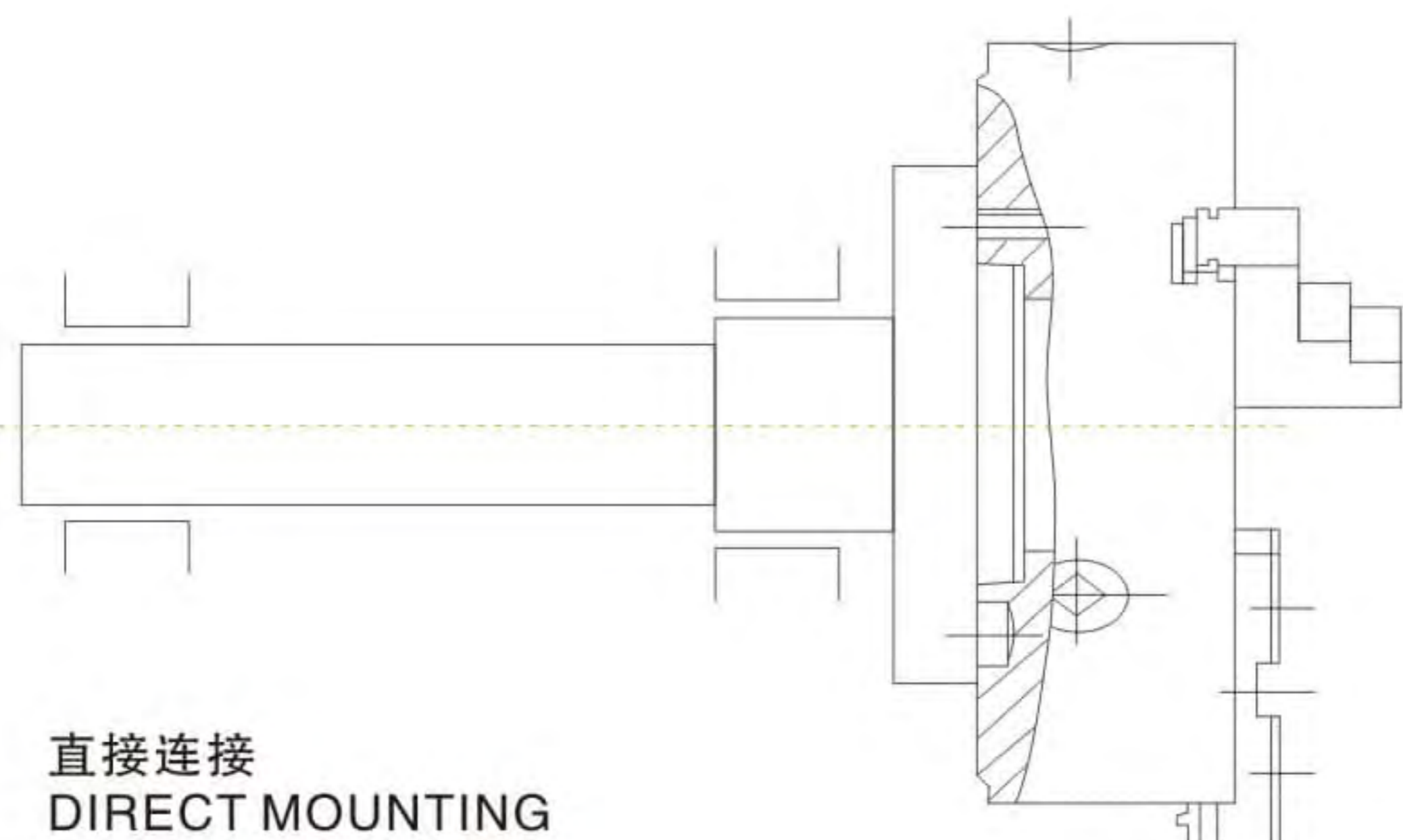
硬顶爪  
TOP JAW



基爪  
MASTER JAW

### 与主轴连接形式

### MOUNTING TYPES TO THE SPINDLE NOSES OF THE MACHINE TOOLS.



# TYPE GUIDE

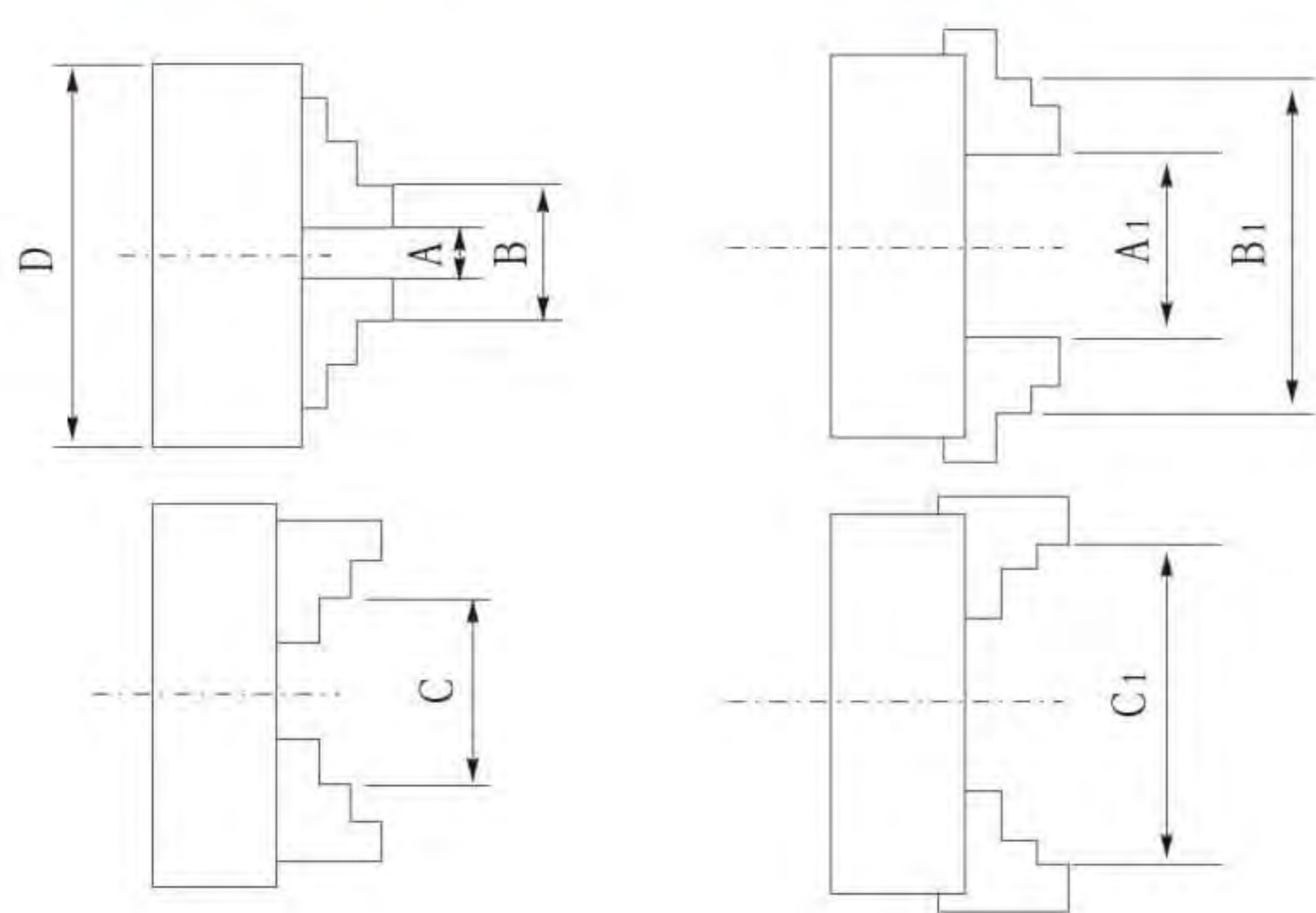
## 选型指南

我公司主要生产全系列机床用手动自定心卡盘和全系列四爪单动卡盘。  
为方便你对我公司产品的使用，现将我公司主要产品夹持参数介绍如下：

We mainly produce full range of manual operating self-centring chucks and 4 jaw independent chucks for lathe machine use for the convenience of users. The main products and their general technical features are shown below.

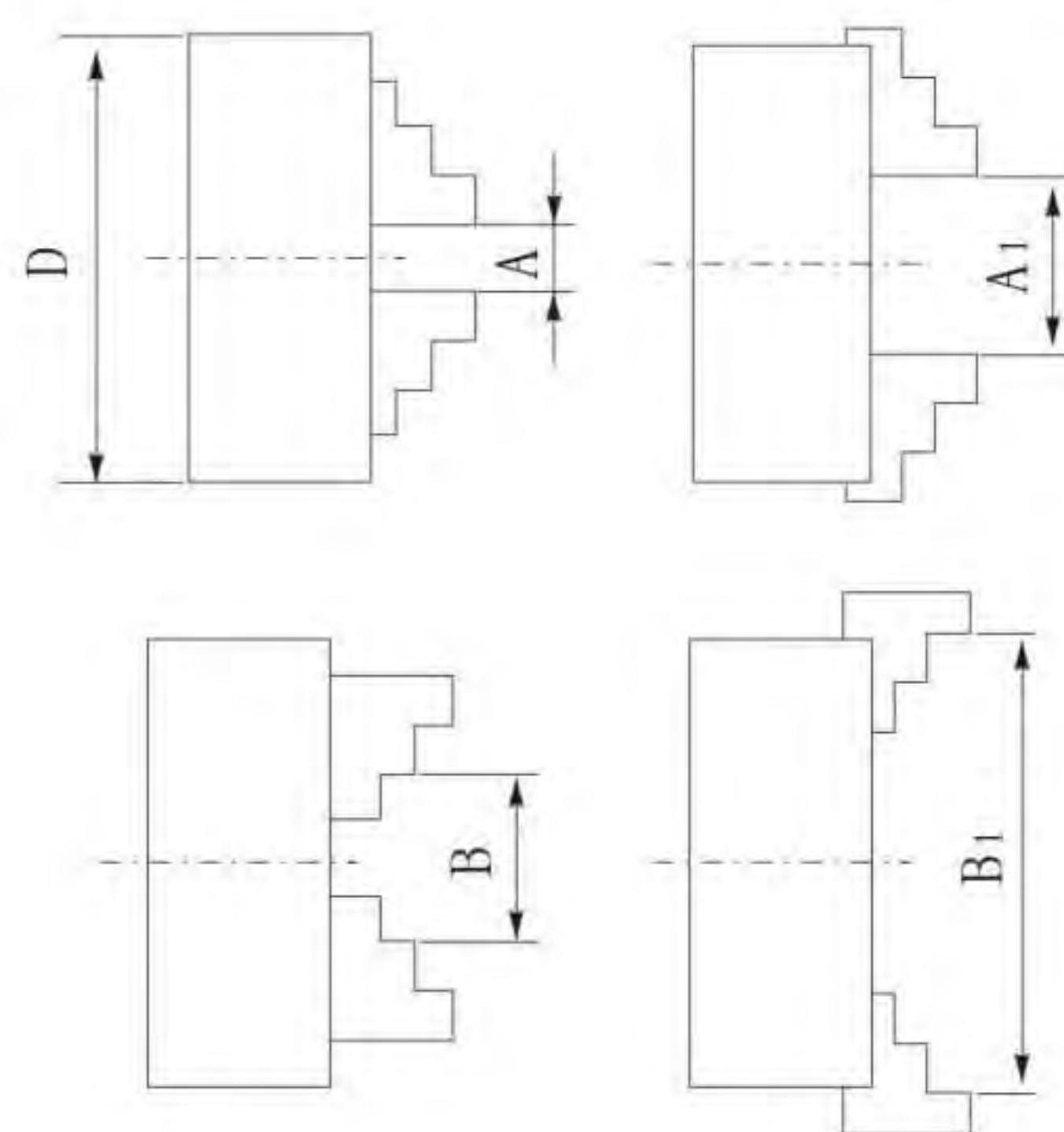
### 三爪自定心卡盘夹持范围

Three-jaw Self-centring Chucks Clamping Range.



### 四爪单动卡盘夹持范围

Four-jaw independent Chucks Clamping Range.



#### 夹持范围 Clamping Range

规格D MODEL D Size	正爪 Internal Jaws		反爪 External Jaws
	夹紧范围 Clamping range	撑紧范围 Clamping range	夹紧范围 Clamping range
	A-A1	B-B1	C-C1
80	2~22	25~70	22~63
100	2~30	30~90	30~80
125	2.5~40	38~125	38~110
130	3~40	40~130	40~120
160	3~55	50~160	55~145
165	4~60	52~165	55~150
190	4~70	65~190	65~190
200	4~85	65~200	65~200
240	6~100	80~250	90~250
250	6~110	80~250	90~250
315	10~140	95~315	100~315
320	10~140	95~320	100~320
325	10~140	95~325	100~325
380	15~210	120~380	120~380
400	15~210	120~400	120~400
500	25~280	150~500	150~500
630	50~350	170~630	170~630
800	150~450	300~800	300~800
1000	290~600	430~1000	430~1000

#### 夹持范围 Clamping Range

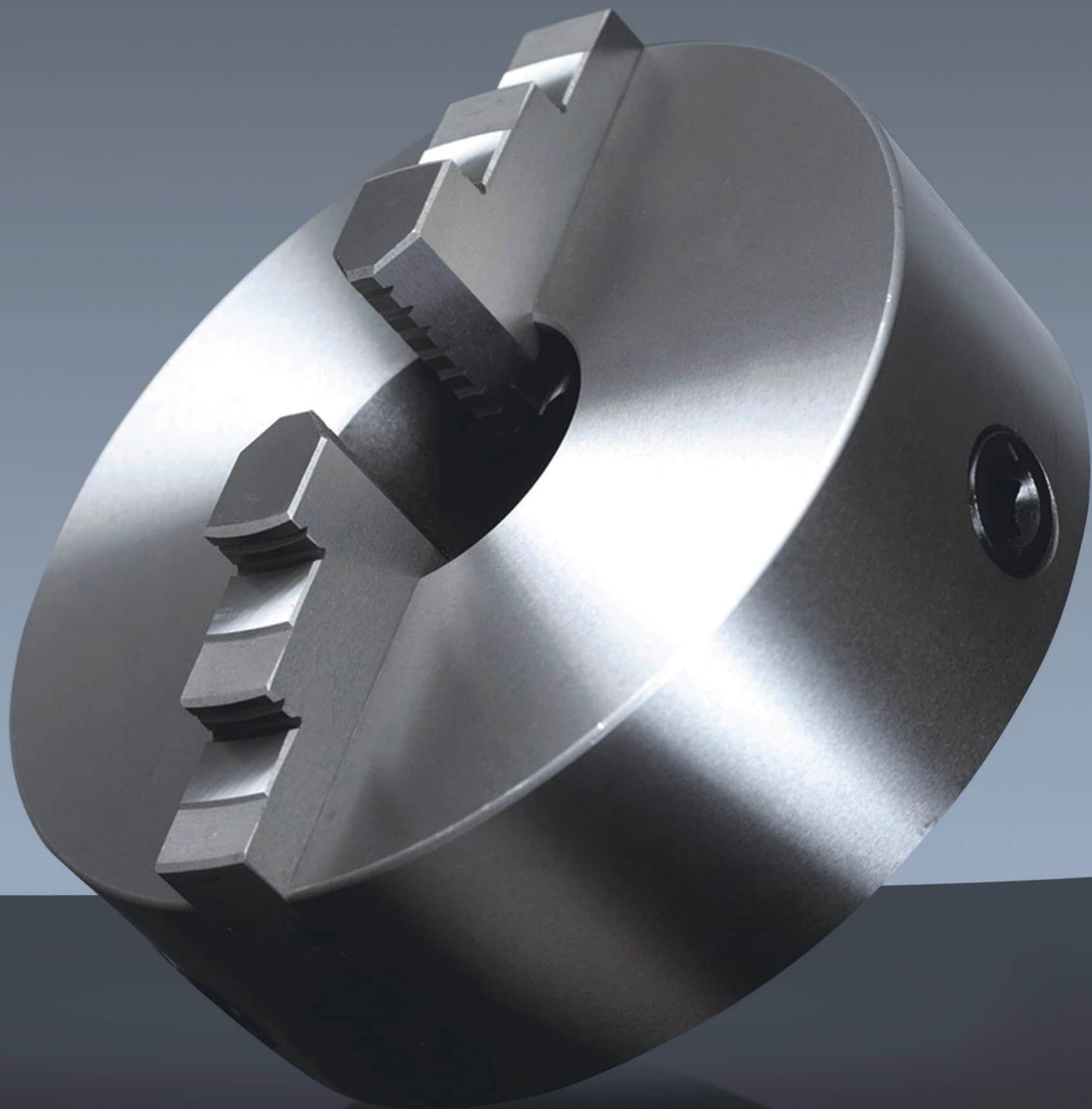
规格D MODEL D Size	正卡爪夹紧范围 Internal Jaws clamping range	反卡爪夹紧范围 External Jaws clamping range
	A-A1	B-B1
	80	5~35
100	6~45	40~100
125	7~57	48~125
160	8~80	50~160
200	10~100	63~200
250	15~130	80~250
300	20~156	100~300
315	20~170	100~315
320	20~176	100~320
350	20~206	100~350
400	25~250	118~400
500	35~300	125~500
630	50~400	160~630
800	70~540	200~800
1000	100~680	250~1000



**TWO-JAW**

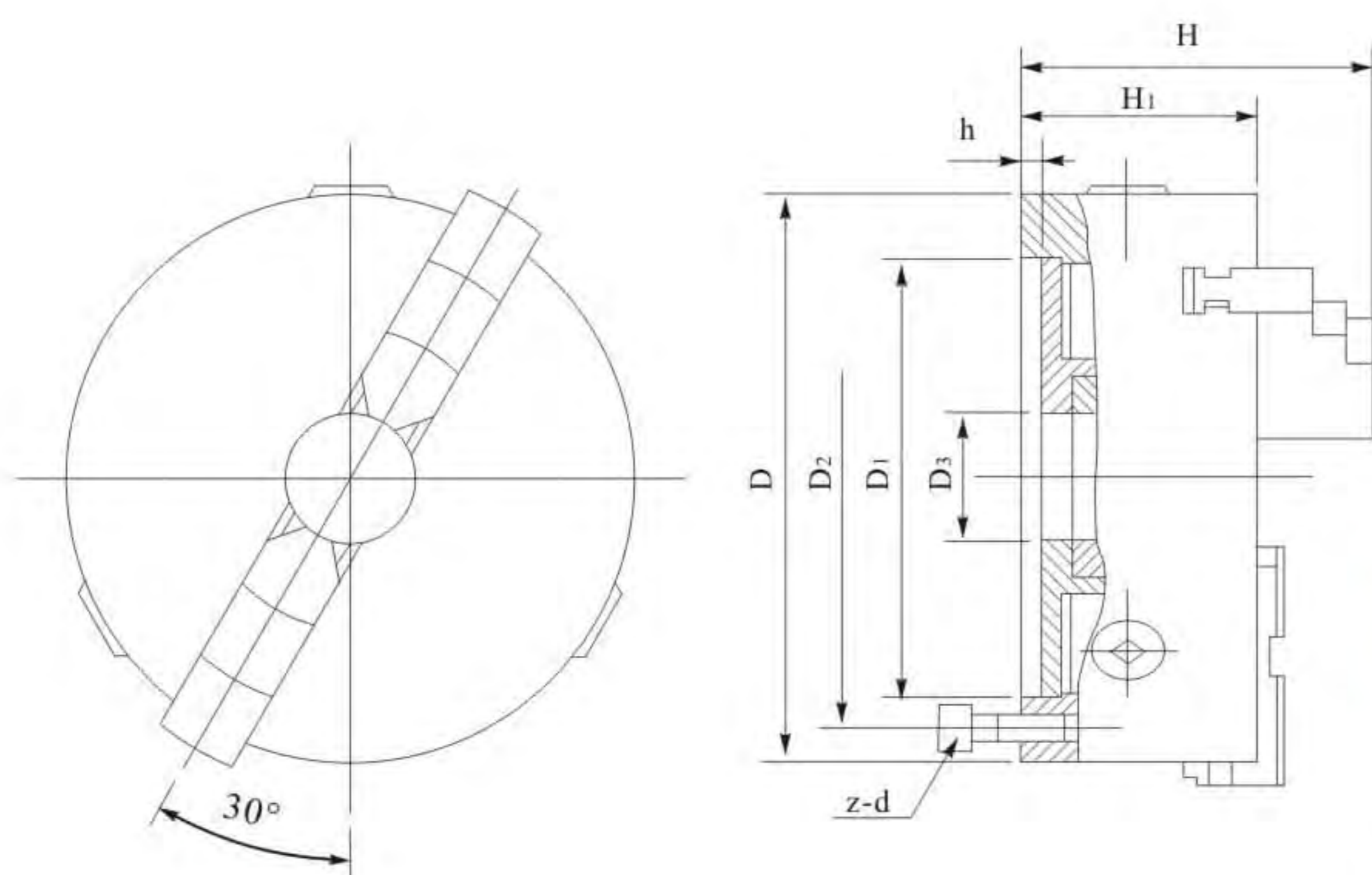
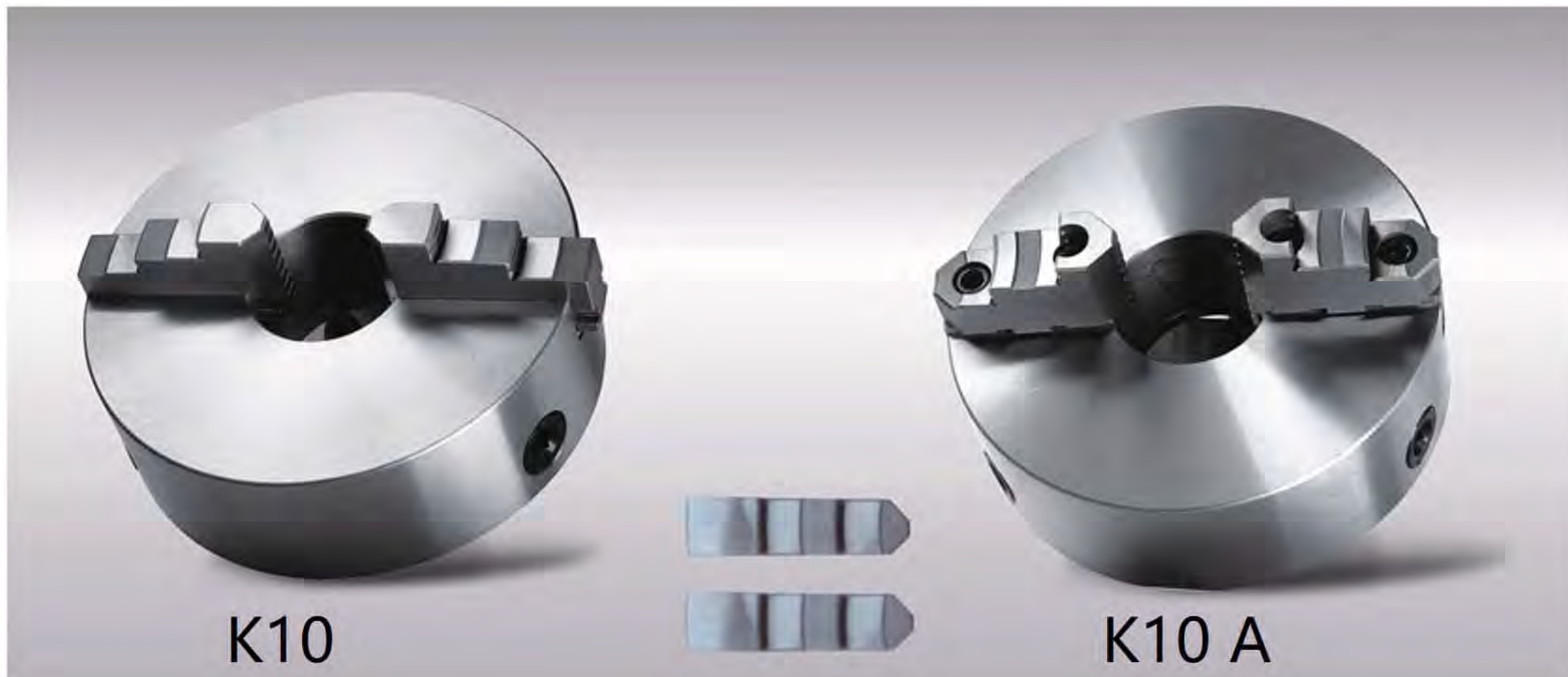
SELF-CENTRING CHUCK

二爪自定心卡盘▶



**K10 SERIES.....**  
**TWO-JAW**

**SELF-CENTRING CHUCK**  
**K10系列二爪自定心卡盘**



**说明 Explain**

K10型二爪自定心卡盘为分离爪结构配带软卡爪，适用于加工各种异形工件，如管件、矩形截面零件等不规则形体零件。用户可根据零件形状改制成适宜的夹持方式，经随机配车(磨)后获得较高定心精度，满足夹持要求。

K10 series Two-jaw Self-centring chuck is of separate jaws and comes with soft jaws It is suitable for processing various special shaped workpieces, such as tube, rectangular section accessories and so on. Users may change the plate to a certain holding style according to needs Higher centring accuracy can be achieved after being rubbed on the machine, so as to satisfy the need for holding.

**规格表 Specifications**

规格/型式 SEPC. /MODEL	D1	D2	D3	H	H1	h	z-d
K10 80	55	66	16	66	50	3.5	3-M6
K10 100	72	84	22	74.5	55	3.5	3-M8
K10 125	95	108	30	85	58	4	3-M8
K10 130	100	115	30	85	58	4	3-M8
K10160	130	142	40	95	65	5	3-M8
K10160A	130	142	40	109	65	5	3-M8
K10165	130	145	40	95	65	5	3-M8
K10165A	130	145	40	109	65	5	3-M8
K10200	165	180	65	109	75	5	3-M10
K10200A	165	180	65	122	75	5	3-M10
K10250	206	226	80	120	80	5	3-M12
K10250A	206	226	80	133	80	5	3-M12
K10315	260	285	100	142.5	90	6	3-M16
K10315A	260	285	100	155.5	90	6	3-M16
K10320	270	290	100	142.5	90	6	3-M16
K10320A	270	290	100	155.5	90	6	3-M16
K10325	272	290	100	142.5	90	6	3-M16
K10325A	272	290	100	155.5	90	6	3-M16
K10380	325	350	130	155.5	100	6	3-M16
K10380A	325	350	130	170.5	100	6	3-M16
K10400	340	368	130	155.5	100	6	3-M16
K10400A	340	368	130	170.5	100	6	3-M16



**THREE-JAW**

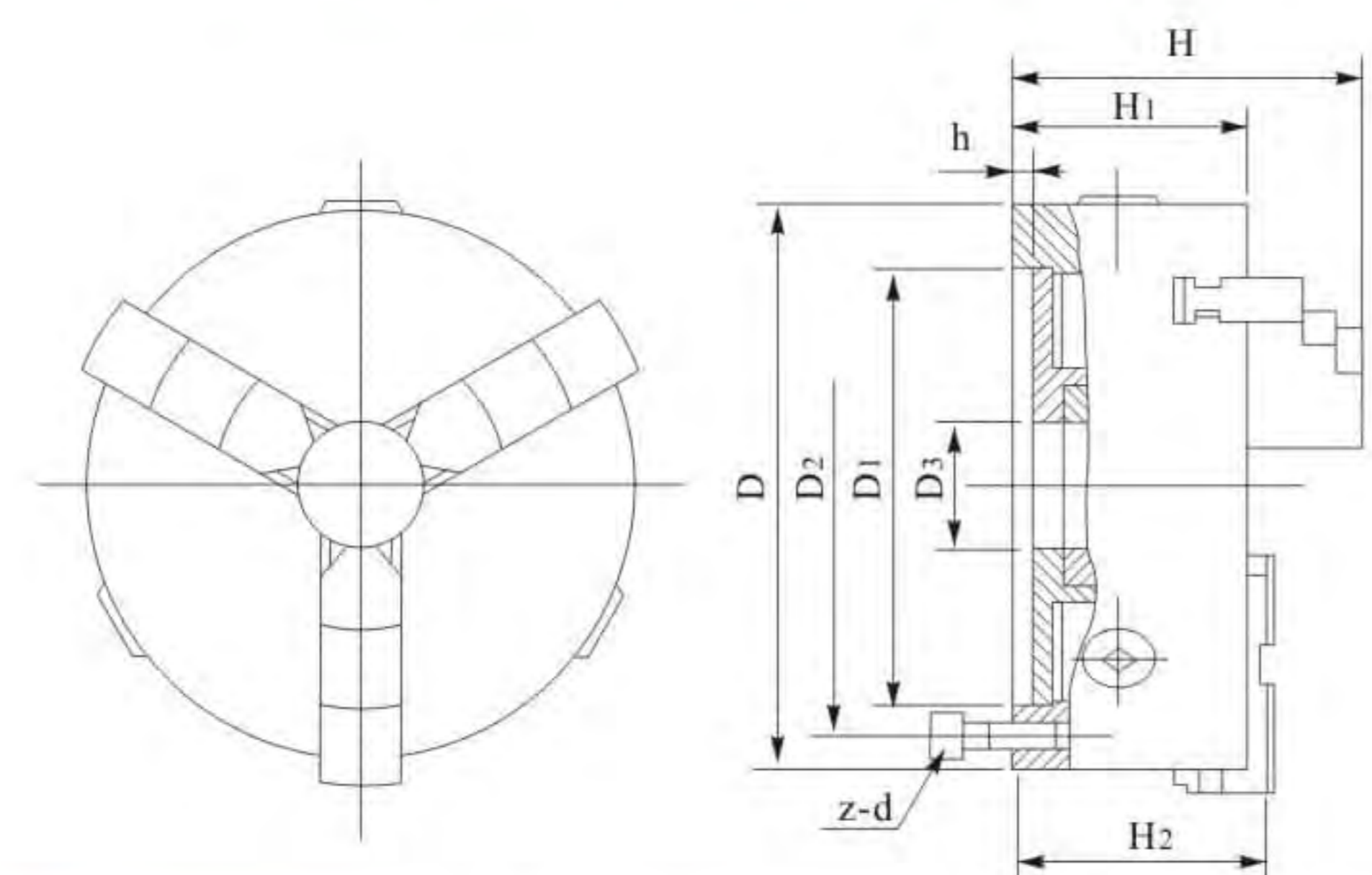
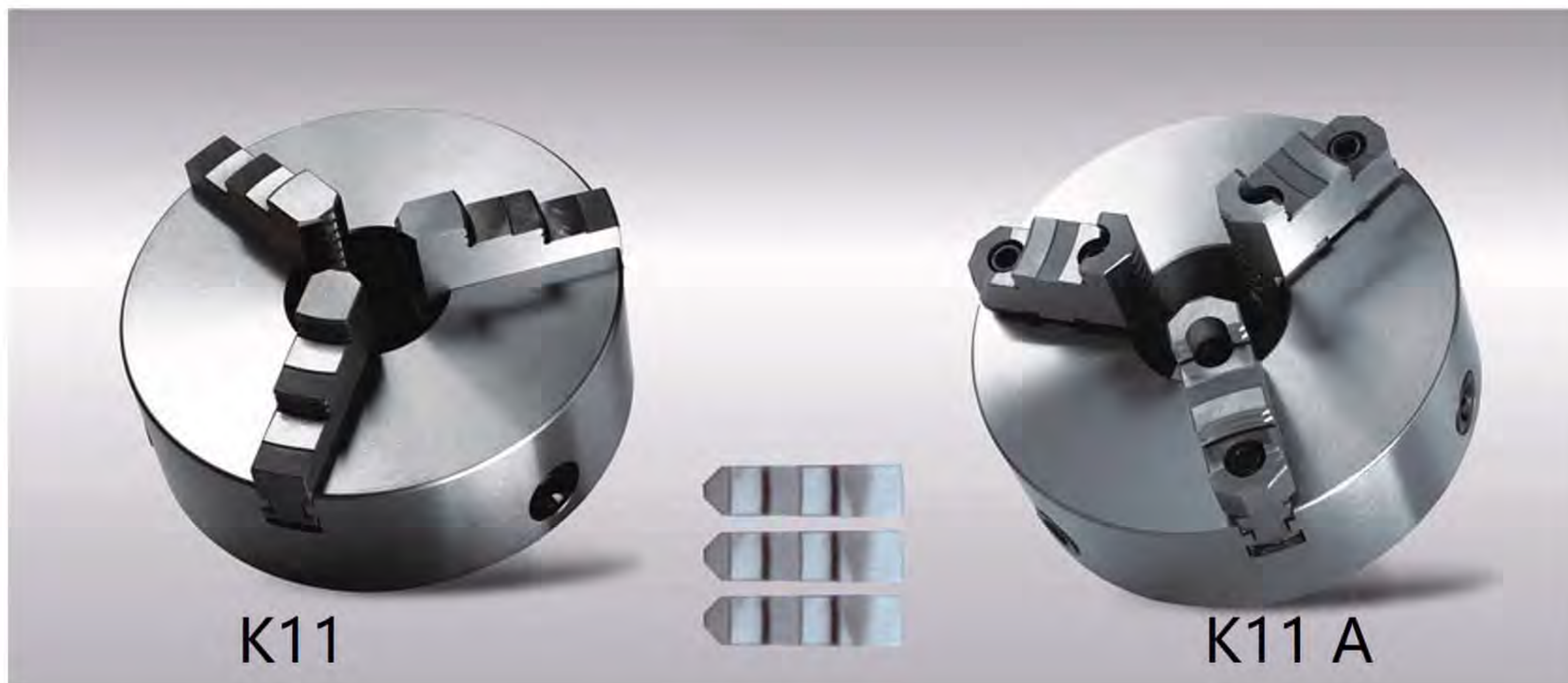
SELF-CENTRING CHUCK

三爪自定心卡盘▶



# K11 SERIES..... THREE-JAW

## SELF-CENTRING CHUCK K11系列三爪自定心卡盘



### 说明 Explain

K11型三爪自定心卡盘为K11、K11A二种型号。K11型配带正爪和反爪各一副，可分别使用，K11A型配带符合ISO3442标准的分离爪。并可根据用户提供软卡爪，经随机配车(磨)后可获得较高定心精度，满足夹持要求。

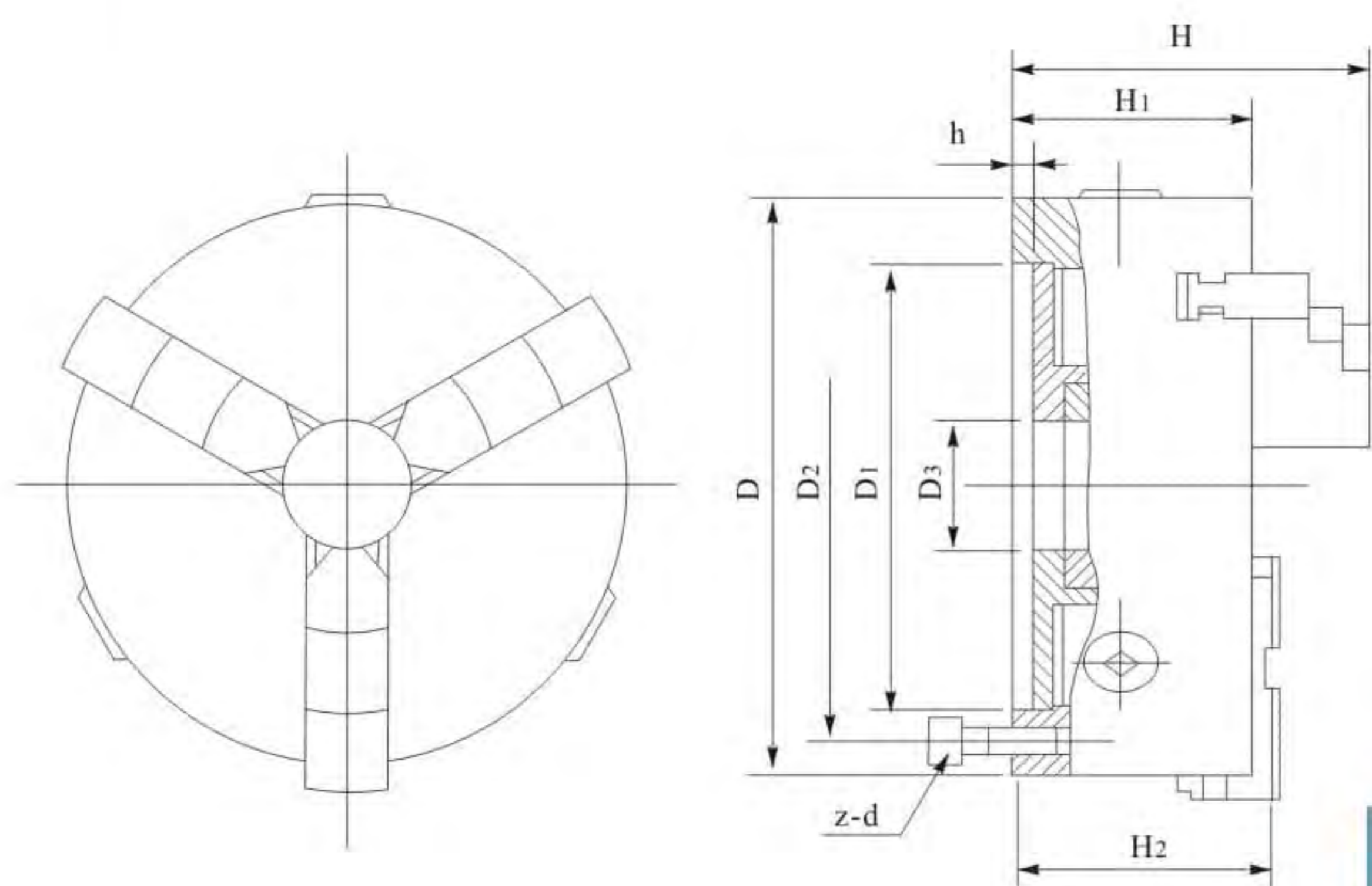
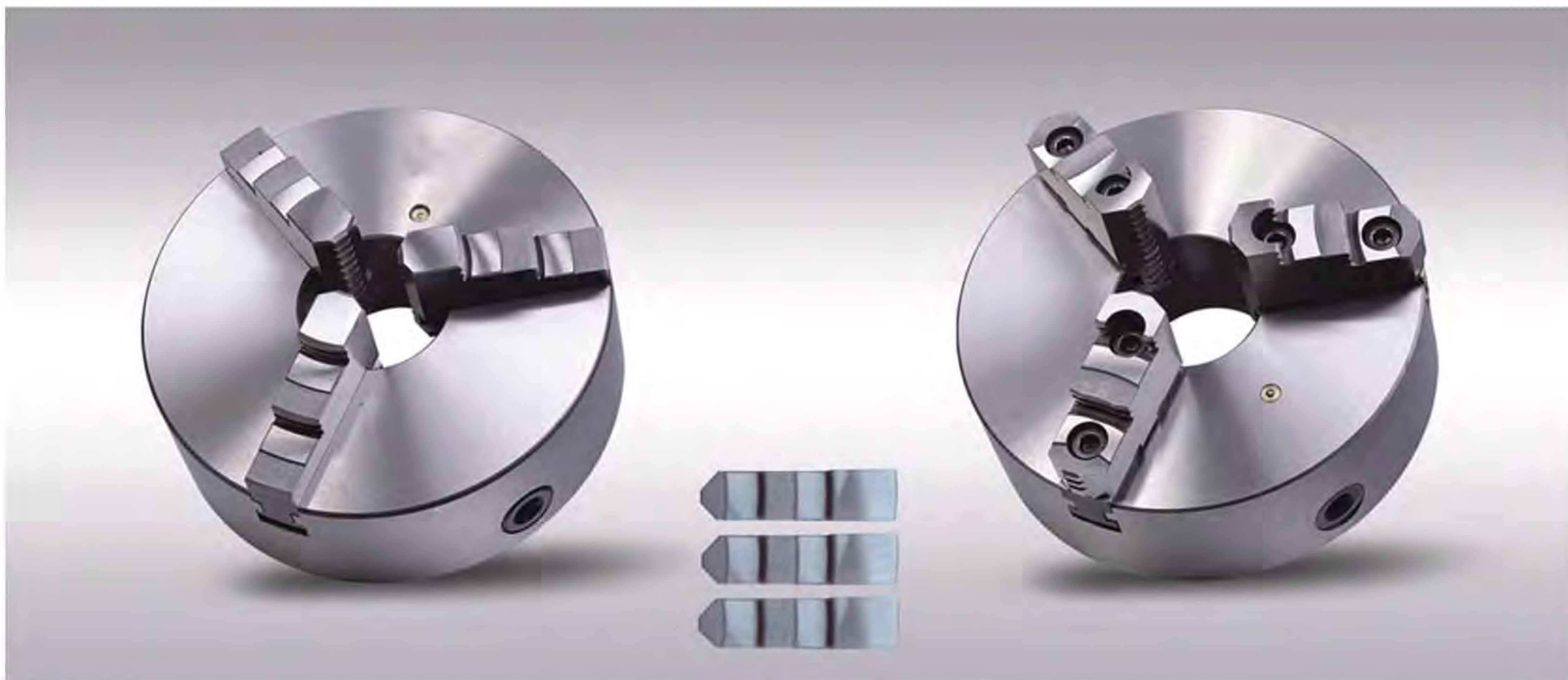
K11 series Three-jaw Self-centring chuck is subdivided into two types, K11,K11A.Type K11 provides two sets of jaws in different directions which can be used respectively.Type K11A provides ISO3442 standard jaws.Soft jaws are to be provided on request Higher centring accuracy can be achieved after being rubbed on the machine,so as to satisfy the need for holding.

### 规格表 Specifications

规格/型式 SEPC. /MODEL	D1	D2	D3	H	H1	H2	h	z-d
K1180	55	66	16	66	50	-	3.5	3-M6
K11100	72	84	22	74.5	55	-	3.5	3-M8
K11125	95	108	30	85	58	-	4	3-M8
K11130	100	115	30	85	58	-	4	3-M8
K11160	130	142	40	95	65	-	5	3-M8
K11160A	130	142	40	109	65	71	5	3-M8
K11165	130	145	40	95	65	-	5	3-M8
K11165A	130	145	40	109	65	71	5	3-M8
K11190	155	172	55	109	75	-	5	3-M10
K11190A	155	172	55	122	75	80	5	3-M10
K11200	165	180	65	109	75	-	5	3-M10
K11200A	165	180	65	122	75	80	5	3-M10
K11240	195	215	70	120	80	-	8	3-M12
K11240A	195	215	70	133	80	85	8	3-M12
K11250	206	226	80	120	80	-	5	3-M12
K11250A	206	226	80	133	80	85	5	3-M12
K11315	260	285	100	142.5	90	-	6	3-M16
K11315A	260	285	100	155.5	90	96.5	6	3-M16
K11320	270	290	100	142.5	90	-	6	3-M16
K11320A	270	290	100	155.5	90	96.5	6	3-M16
K11325	272	296	100	142.5	90	-	6	3-M16
K11325A	272	296	100	155.5	90	96.5	6	3-M16
K11380	325	350	130	155.5	100	-	6	3-M16
K11380A	325	350	130	170.5	100	96.5	6	3-M16
K11400	340	368	130	155.5	100	-	6	3-M16
K11400A	340	368	130	170.5	100	108.5	6	3-M16
K11500	440	465	200	176	115	-	6	6-M16
K11500A	440	465	200	203	115	123	6	6-M16
K11630	560	595	260	192	130	-	7	6-M16
K11630A	560	595	260	218	130	138	7	6-M16
K11800A	710	760	385	249	148	158	8	6-M20
K111000A	910	950	460	266	165	-	8	6-M24
K111250A	910	950	500	281	180	-	10	6-M24

**K11 SERIES.....**  
**THREE-JAW**

**SELF-CENTRING CHUCK**  
**德标K11系列三爪自定心卡盘**



**说明 Explain**

德标K11系列三爪自定心卡盘，符合DIN6350标准，采用短圆柱连接形式，卡爪型式有整体爪和A型分离爪，A型分离爪符合ISO3442标准，也可根据用户提供软爪，经随机配车(磨)后，可获得较高定心精度。

German standardized 3-jaw Self-centering Chucks are according to DIN 6350. The chucks of this type are mounted to spindle nose through an adapting flange. A set of internal jaws and a set of external jaws are provided with as weel as 2-piece jaws. Two-piece jaws are accouding to ISO3442 Standard. Soft jaws are offered upon users' requests to increase the clamping accuracy by remachining.

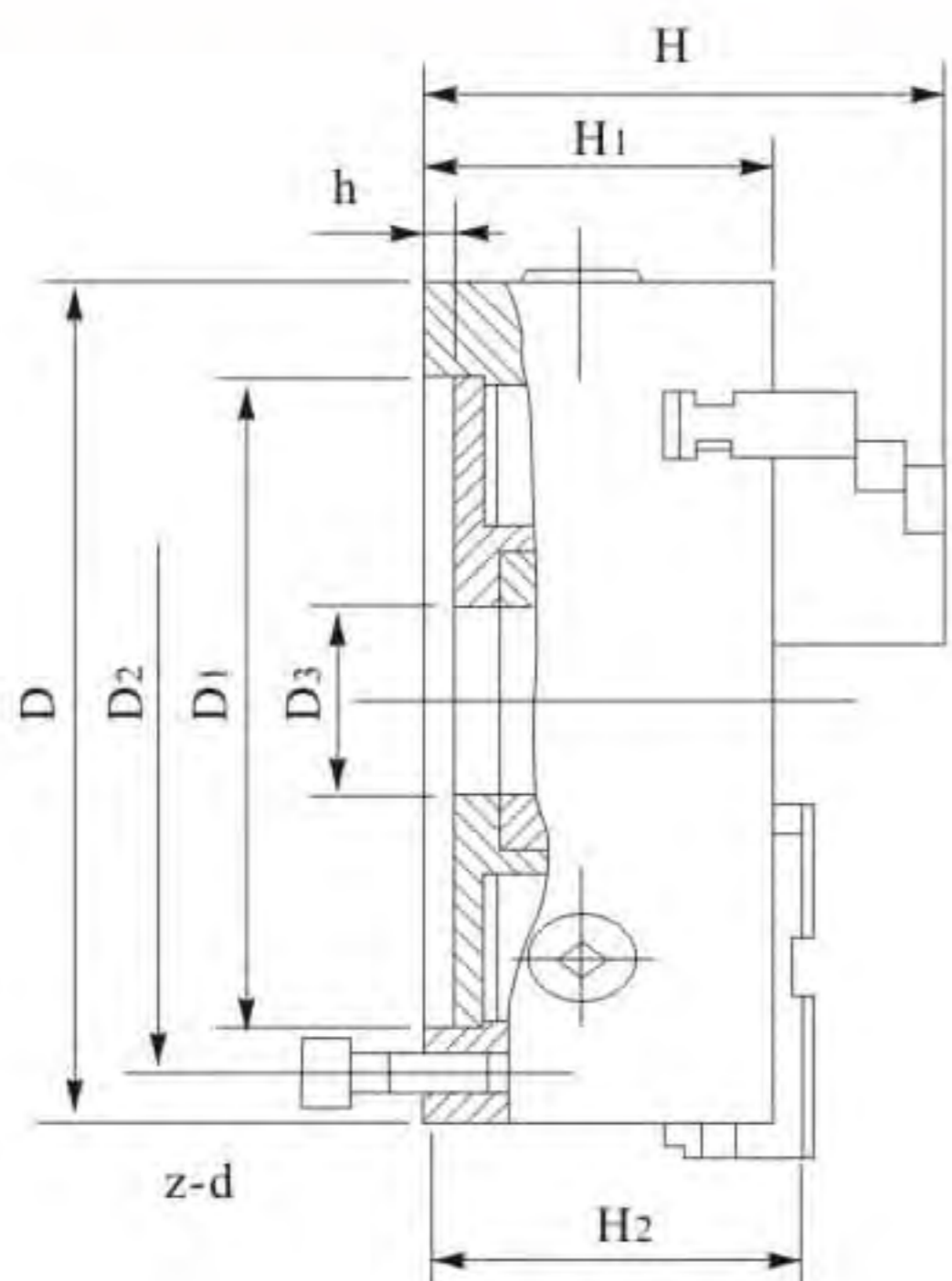
**规格表 Specifications**

规格/型式 SEPC./MODEL	D1	D2	D3	H	H1	H2	h	z-d
Dk1180	56	67	16	66	50	-	3	3-M6
Dk11100	70	83	22	74.5	55	-	3	3-M8
Dk11125	95	108	30	84	58	-	4	3-M8
Dk11160	125	140	45	95	65	-	4	6-M10
DK11160A	125	140	45	109	65	71	4	6-M10
Dk11200	160	176	65	109	75	-	4	6-M10
DK11200A	160	176	65	122	75	80	4	6-M10
Dk11250	200	224	80	120	80	-	5	6-M12
DK11250A	200	224	80	134.5	80	86	5	6-M12
Dk11315	260	286	104	131.5	90	-	5	6-M16
DK11315A	260	286	104	148.5	90	96.5	5	6-M16
Dk11400	330	362	136	157.5	100	-	5	6-M16
DK11400A	330	362	136	167	100	108.5	5	6-M16
DK11500A	420	458	200	203	115	123	6	6-M16
DK11630A	545	586	260	218	130	138	7	6-M16
DK11800A	710	760	385	249	148	158	8	6-M20
DK111000A	910	950	460	266	165	175	8	6-M24

# K11 SERIES..... THREE-JAW

## SELF-CENTRING CHUCK

## 俄标K11系列三爪自定心卡盘



### 说明 Explain

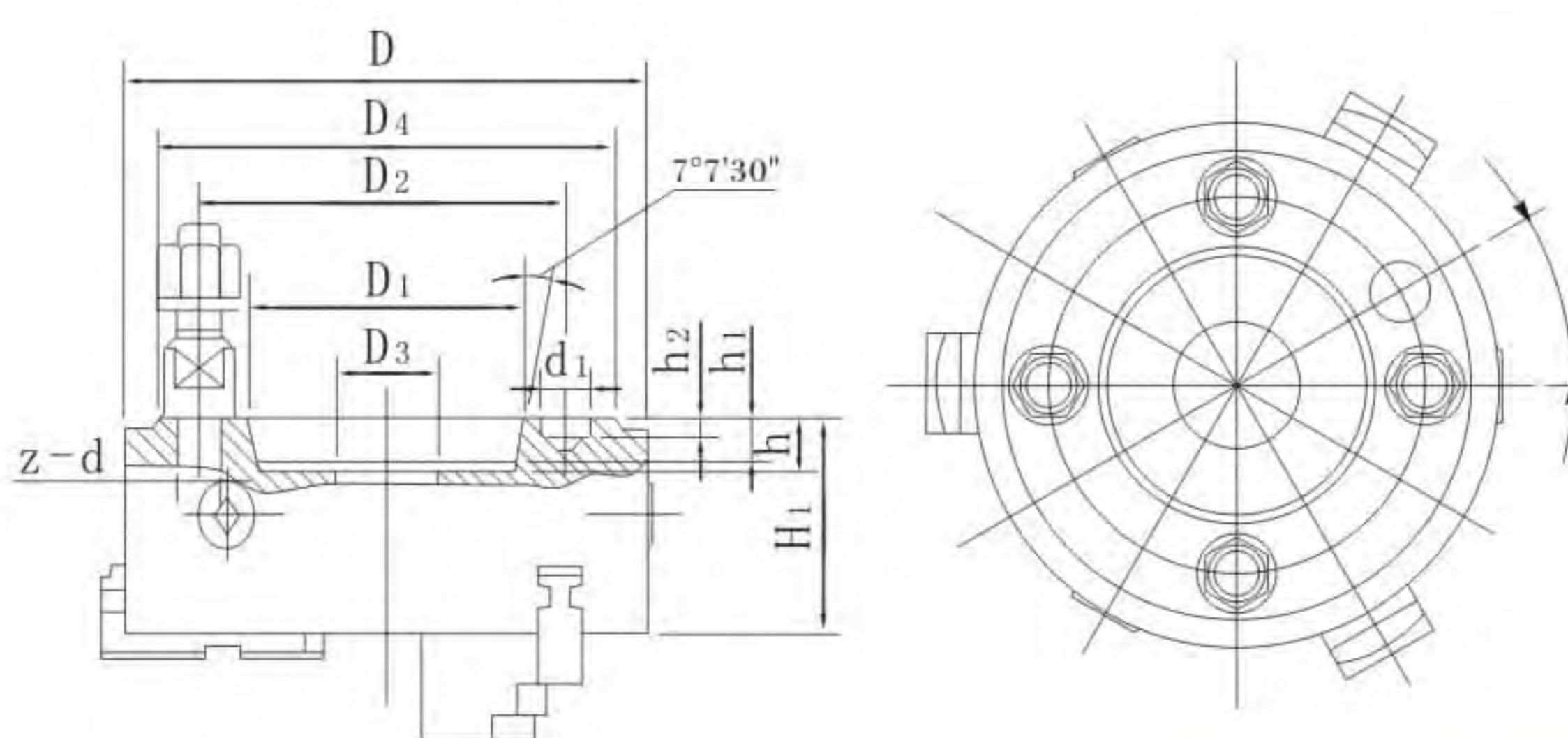
俄标K11系列三爪自定心卡盘，符合ГОСТ2675标准，采用短圆柱连接形式，卡爪型式有整体爪和A型分离爪，A型分离爪符合ISO3442标准，也可根据用户提供软爪，经随机配车(磨)后，可获得较高定心精度。

Russian Standardized 3-jaw Self-centering Chucks adopt short conical connection according to Standard ГОСТ 2675. The jaws have one-piece and two-piece called A type. A type two-piece jaws are according to ISO 3442 Standard. Soft jaws can be provided according to the clients' requests. Higher centering accuracy can be achieved after machining.



### 规格表 Specifications

规格/型式 SEPC./MODEL	D1	D2	D3	H	H1	H2	h	z-d
7100-0001П	55	66	16	66	50	-	3.5	3-M6
7100-0002П	72	86	22	74.5	55	-	3.5	3-M8
7100-0003П	95	108	30	85	58	-	4	3-M8
7100-0005П	130	142	40	95	65	-	5	3-M8
7100-0007П	165	180	65	109	75	-	5	3-M10
7100-0009П	210	226	80	120	80	-	5	3-M12
7100-0011П	270	290	100	142.5	90	-	6	3-M12
7100-0015П	340	368	130	155.5	100	-	6	3-M16
7100-0017П	440	465	200	176	115	-	6	6-M16
7100-0019П	560	595	260	192	130	-	7	6-M16



### 规格表 Specifications

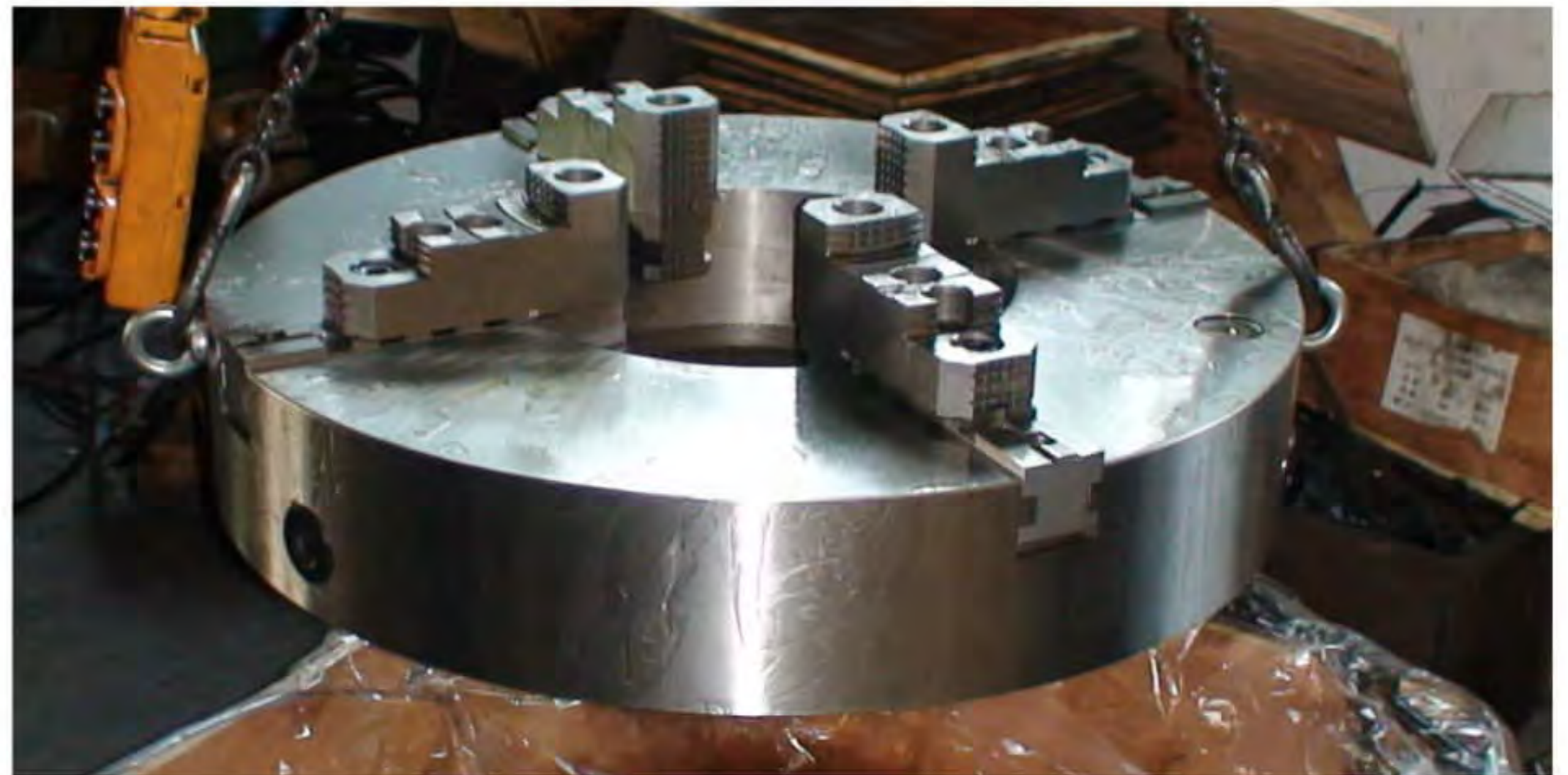
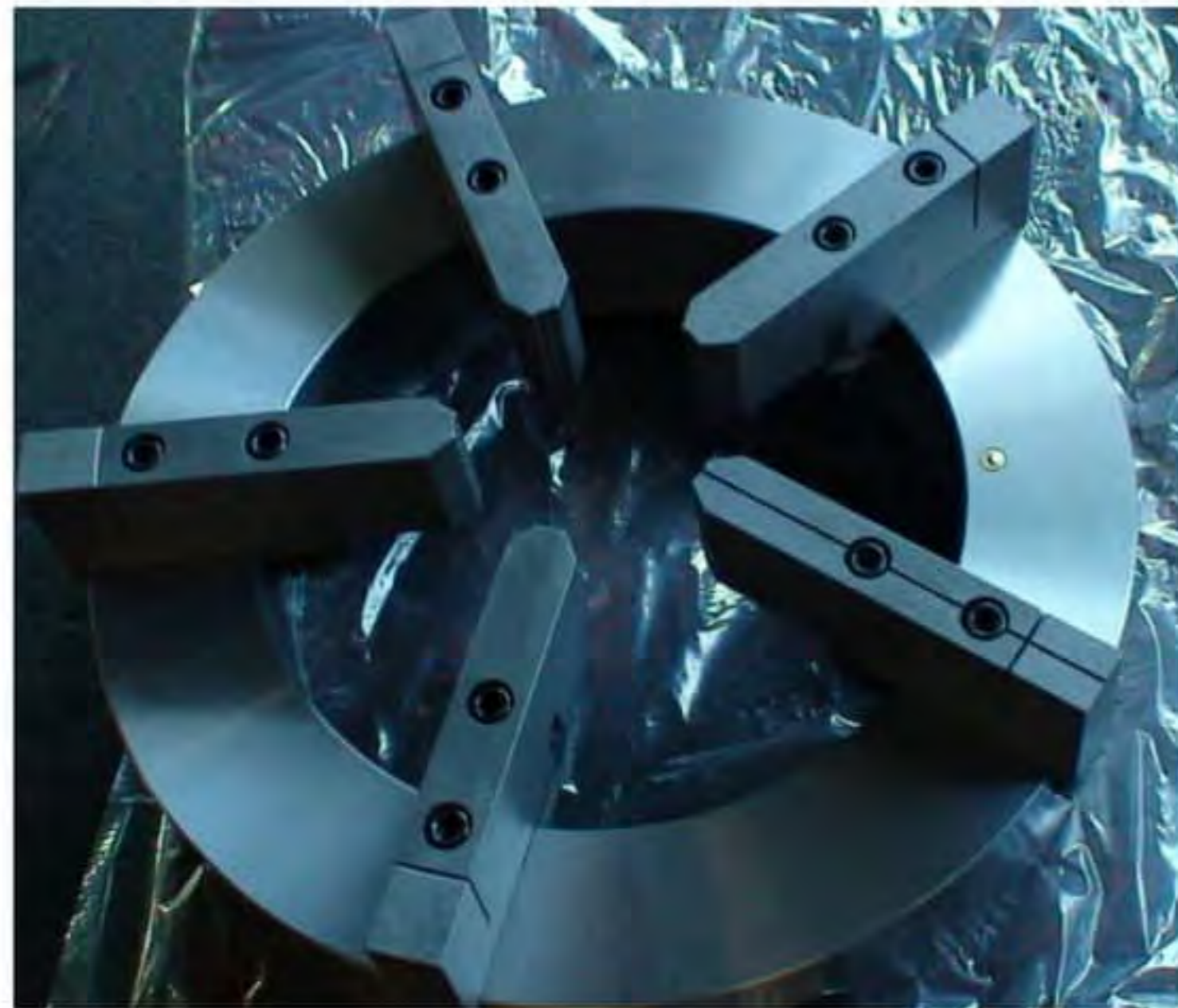
二: C型: 拔盘/螺栓锁紧连接  
Two: Type C: bolt locking joint

规格/型式 SEPC./MODEL	D	D1	D2	D3	D4	H1	h	h1	h2	d1	z-d
7100-0033П	200	106.375	133.4	60	170	88	16	13	6.5	19.5	4-M12
7100-0035П	250	106.375	133.4	70	170	95	16	13	6.5	19.5	4-M12
7100-0037П	250	139.719	171.4	80	220	95	18	14	8	24.2	4-M16
7100-0039П	315	106.375	133.4	100	170	112	16	13	6.5	19.5	4-M12
7100-0041П	315	139.719	171.4	100	220	112	18	14	8	24.2	4-M16
7100-0043П	400	139.719	171.4	130	220	122	18	14	8	24.2	4-M16
7100-0045П	400	196.869	235	130	290	122	20	16	10	29.4	6-M20
7100-0047П	500	139.719	171.4	190	220	135	-	-	-	24.2	4-M16
7100-0049П	500	196.869	235	190	290	135	-	16	10	29.4	6-M20
7100-0051П	630	196.869	235	190	290	150	-	16	10	29.4	6-M20
7100-0053П	630	285.775	330.2	260	400	150	21	17	10	35.7	6-M24



## Special chuck

## 特殊定制卡盘



### 说明 Explain

我们可以为客户提供各种定制产品，以更好的满足客户的加工需求。

We can provide customers with a variety of customized products to better meet the processing needs of customers.



**K11 SERIES** DIRECT MOUNTING  
**THREE-JAW**

**SELF-CENTRING CHUCK**

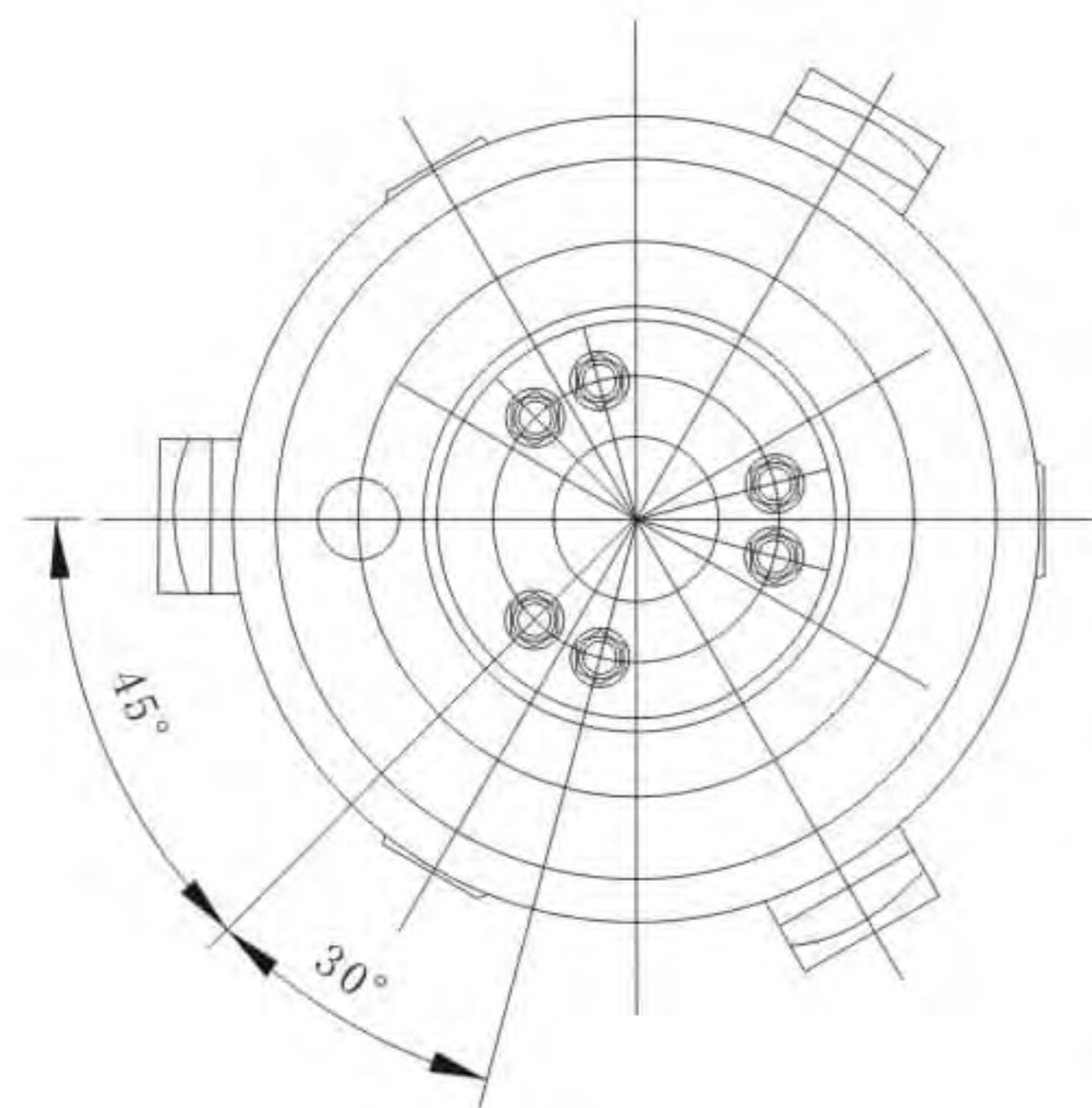
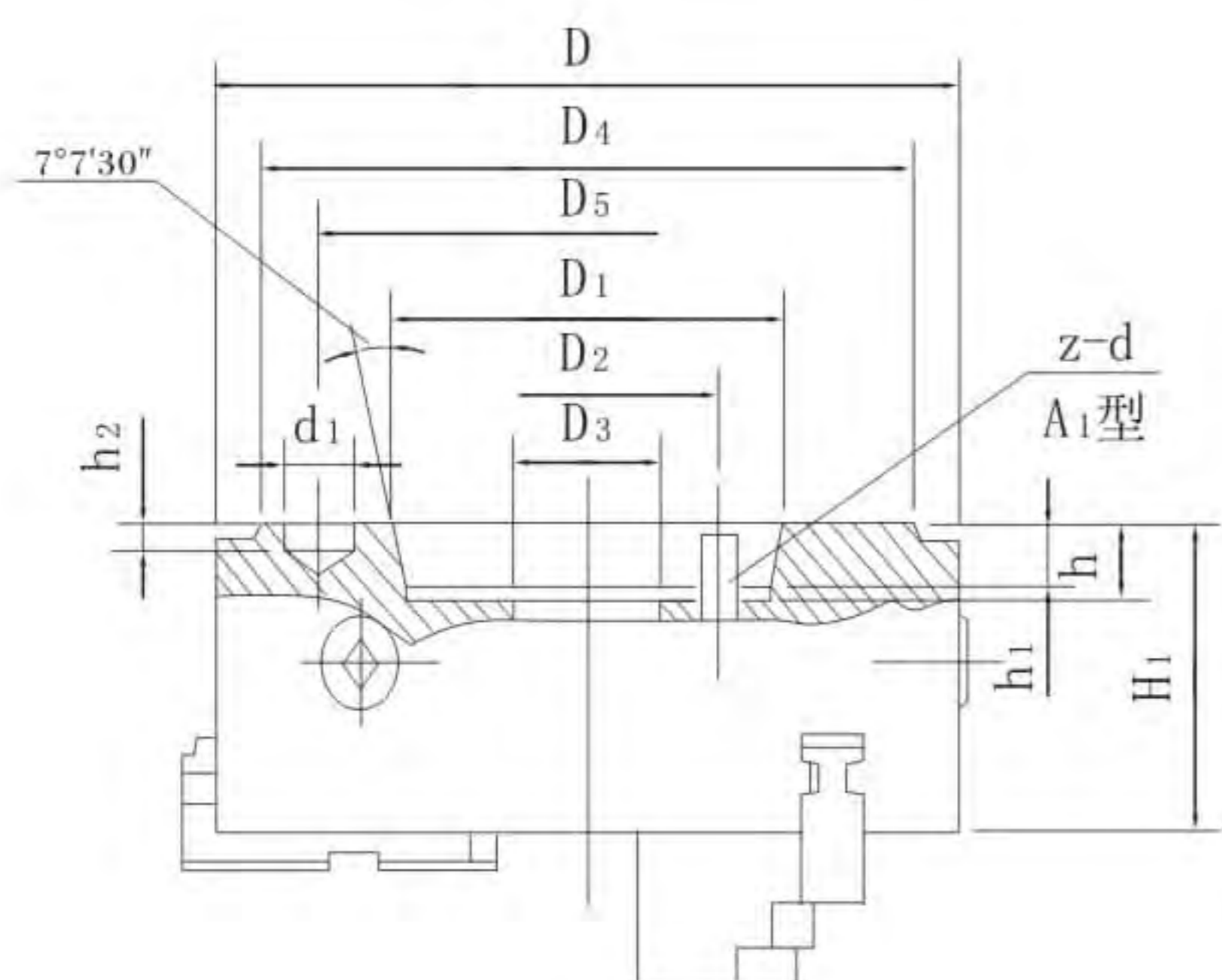
**K11系列短锥三爪自定心卡盘**



**说明 Explain**

K11系列短锥三爪自定心卡盘适用短圆锥孔定位，定位精度高，拆装快捷、方便、可靠。按其于机床主轴端部连接型式分为A型(穿通螺钉连接)、C型(拔盘、螺栓锁紧连接)、D型(拉杆、凸轮锁紧连接)三种型式。

K11series direct Mounting Three-jaw Self-centering chucks adopt short-conical hole centring, which are accurate in centring, easy to remove, convenient and reliable. Three types are divided according to the way of joining with the spindle nose of machines: Type A(joined with screw), Type C(bolt locking joint), Type D(pull rod, cam locking joint).



**规格表 Specifications**

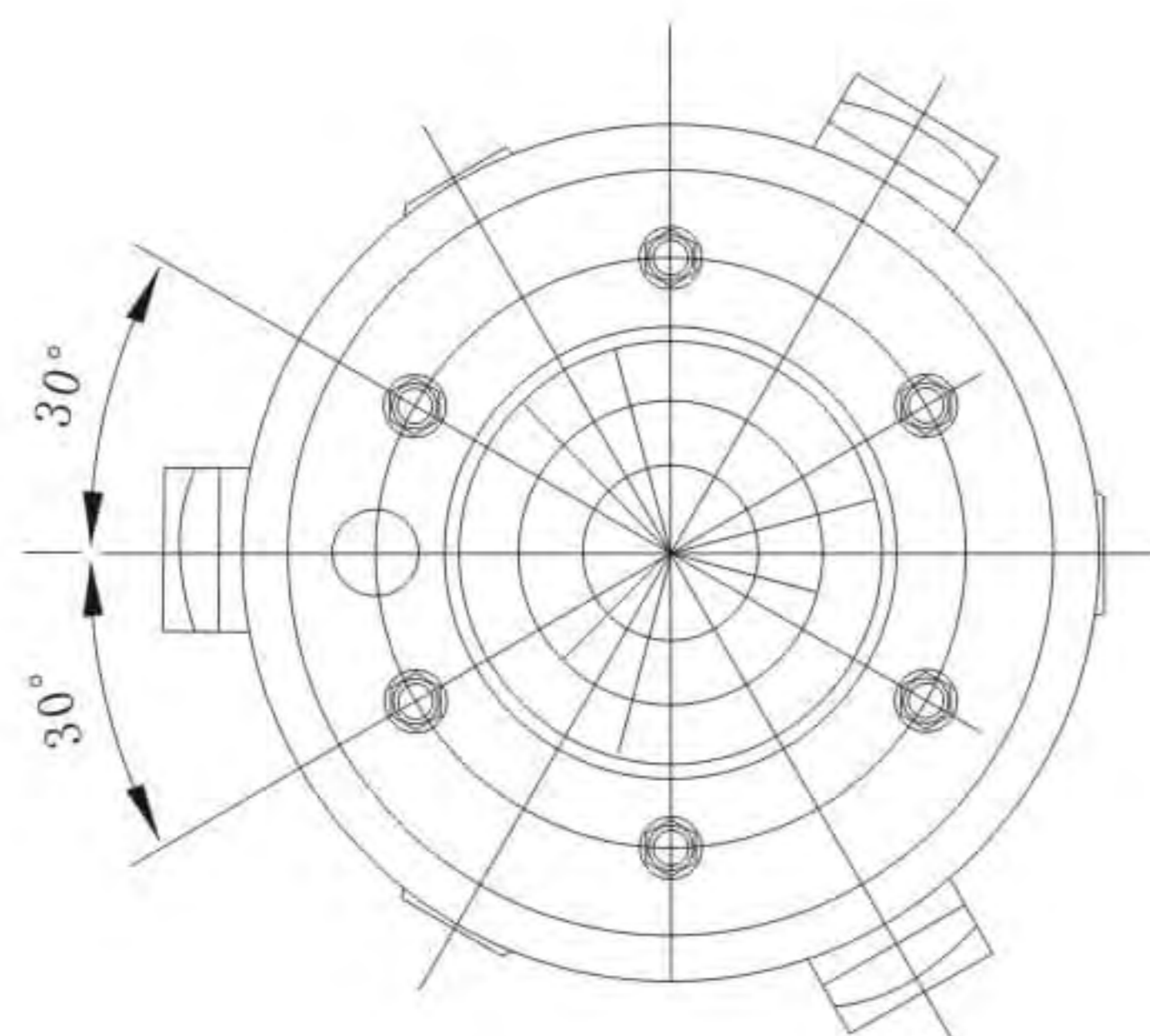
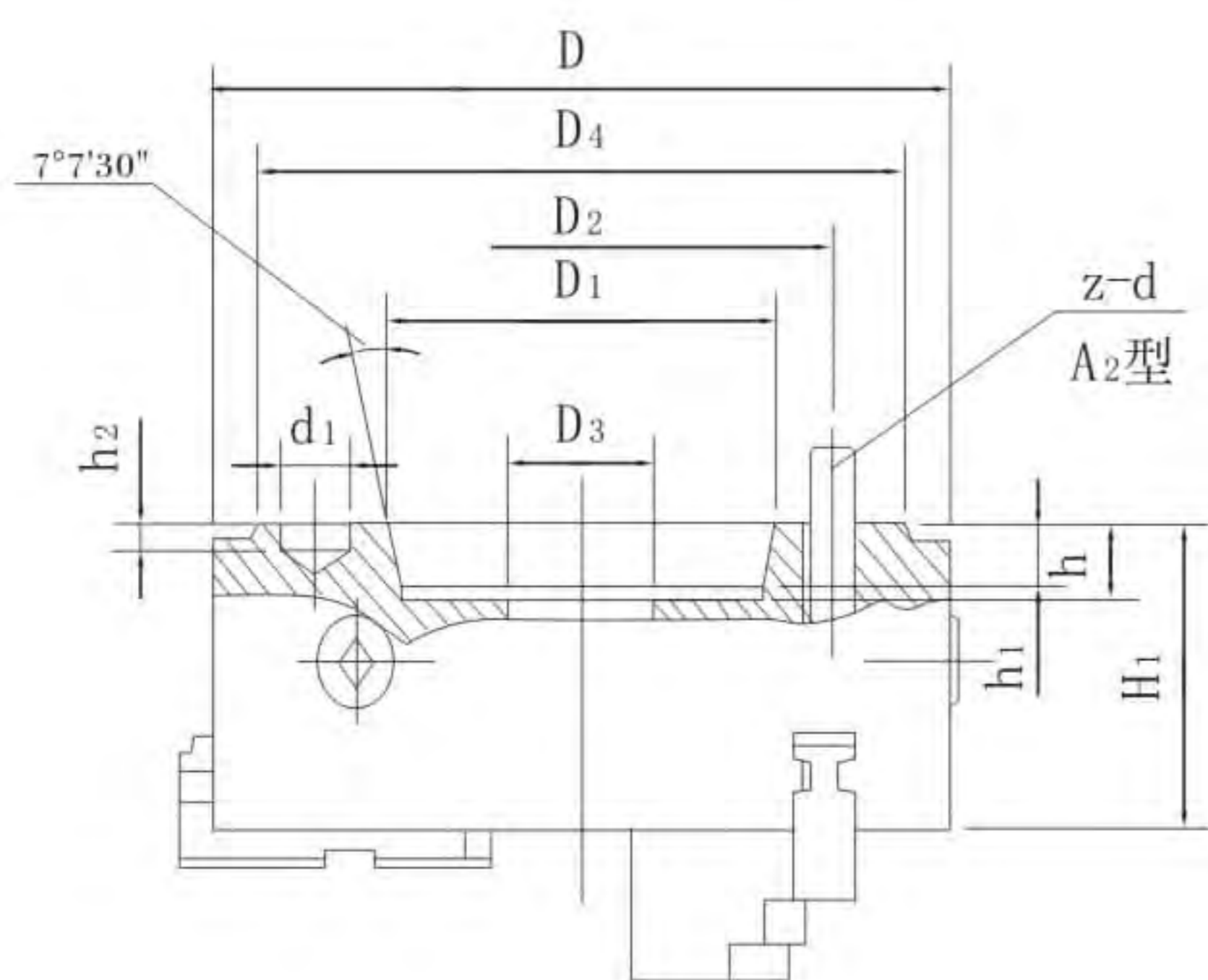
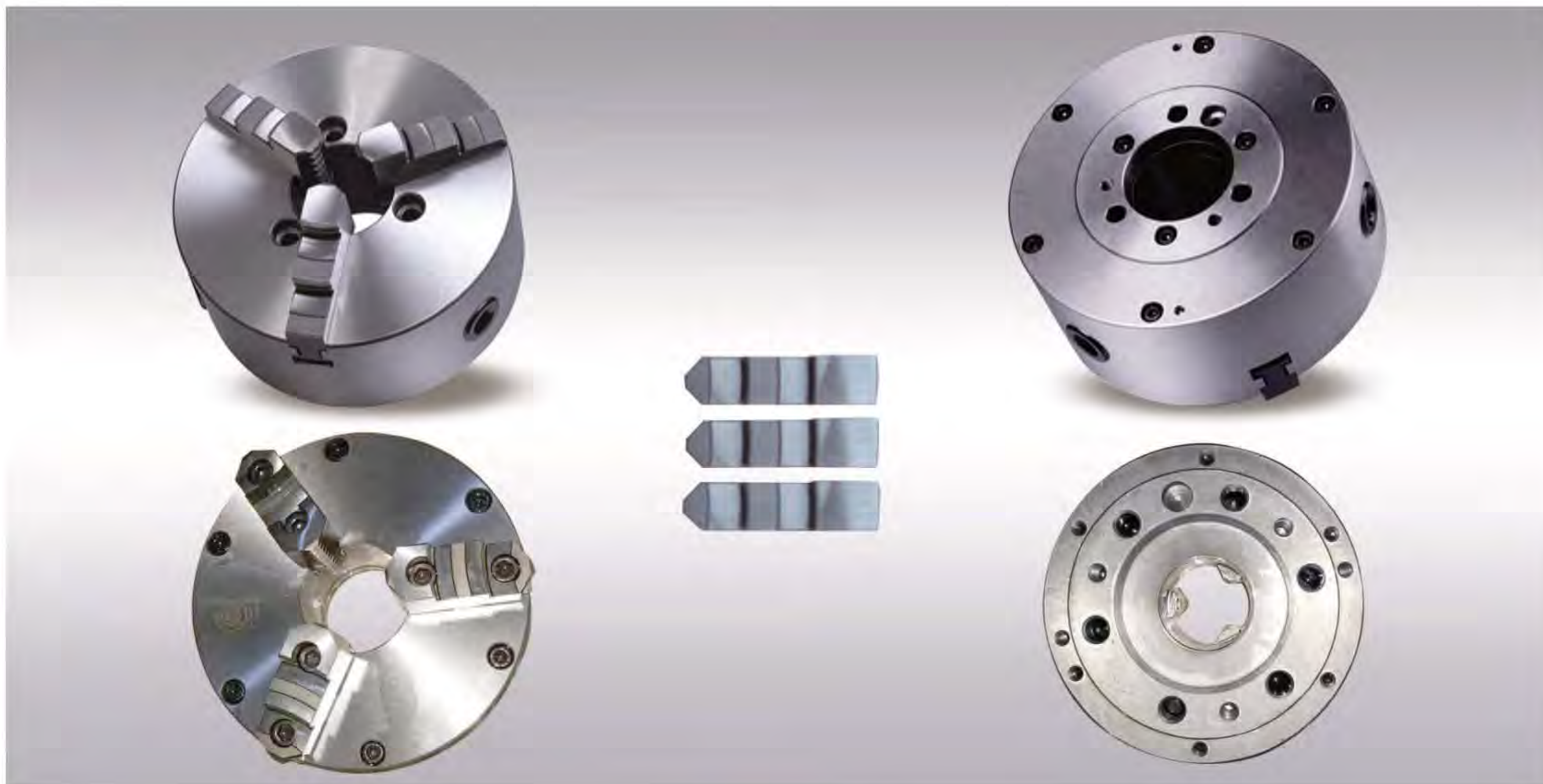
一: A型: 穿通螺钉连接 One: Type A:Joined with screw  
1: A1型<内圈螺钉连接> 1: Type A1<Inner screw joint>

规格/型式 SEPC./MODEL	D	D1	D2	D3	D4	D5	H1	h	h1	h2	d1	z-d
K11200/A15、K11200A/A15	200	82.563	61.9	40	133	104.8	93	14.288	12	6.5	16.3	3-M10
K11250/A15、K11250A/A15	250	82.563	61.9	40	133	104.8	104	14.288	12	6.5	16.3	3-M10
K11250/A16、K11250A/A16	250	106.375	82.6	55	165	133.4	104	15.875	13	6.5	19.5	6-M12
K11315/A16、K11315A/A16	315	106.375	82.6	55	165	133.4	114	15.875	13	6.5	19.5	6-M12
K11315/A18、K11315A/A18	315	139.719	111.1	78	210	171.4	116	17.462	14	8	24.2	6-M16
K11320/A16、K11320A/A16	320	106.375	82.6	55	165	133.4	114	15.875	13	6.5	19.5	6-M12
K11320/A18、K11320A/A18	320	139.719	111.1	78	210	171.4	116	17.462	14	8	24.2	6-M16
K11325/A16、K11325A/A16	325	106.375	82.6	55	165	133.4	114	15.875	13	6.5	19.5	6-M12
K11325/A18、K11325A/A18	325	139.719	111.1	78	210	171.4	116	17.462	14	8	24.2	6-M16
K11380/A18、K11380A/A18	380	139.719	111.1	78	210	171.4	128	17.462	14	8	24.2	6-M16
K11400/A18、K11400A/A18	400	139.719	111.1	78	210	171.4	128	17.462	14	8	24.2	6-M16

**K11 SERIES** DIRECT MOUNTING  
**THREE-JAW**

**SELF-CENTRING CHUCK**

**K11系列短锥三爪自定心卡盘**



**说明 Explain**

K11系列短锥三爪自定心卡盘采用短圆锥孔定位，定位精度高，拆装快捷、方便、可靠。按其于机床主轴端部连接型式分为A型(穿通螺钉连接)、C型(拔盘、螺栓锁紧连接)、D型(拉杆、凸轮锁紧连接)三种型式。

K11series direct Mounting Three-jaw Self-centring chucks adopt short-conical hole centring, which are accurate in centring, easy to remove, convenient and reliable. Three types are divided according to the way of joining with the spindle nose of machines: Type A(joined with screw), Type C(bolt locking joint), Type D(pull rod, cam locking joint).

**规格表 Specifications**

2: A2型<外圈螺钉连接>  
2: Type A2<Outer screw joint>

规格/型式 SEPC./MODEL	D	D1	D2	D3	D4	H1	h	d1	z-d
K11 160/A2-5 /K11 160A/A2-5	160	82.563	61.9	40	133	93	14.288	16.3	3-M10
K11 200/A2-4 /K11 200A/A2-4	200	63.513	82.6	60	108	88	-	14.7	3-M10
K11 200/A2-6 /K11 200A/A2-6	200	106.375	133.4	65	165	85	16	19.5	6-M12
K11 250/A2-6 /K11 250A/A2-6	250	106.375	133.4	80	165	112	16	19.5	6-M12
K11 250/A2-8 /K11 250A/A2-8	250	139.719	171.4	80	210	112	18	24.2	6-M16
K11 320/A2-6 /K11 320A/A2-6	320	106.375	133.4	100	165	135	16	19.5	6-M12
K11 320/A2-8 /K11 320A/A2-8	320	139.719	171.4	100	210	135	18	24.2	6-M16
K11 320A/A2-11	320	196.869	235	100	280	135	20	29.4	6-M20
K11 400/A2-8 /K11 400A/A2-8	400	139.719	171.4	130	210	122	18	24.2	6-M16
K11 400A/A2-11	400	196.869	235	130	280	145	20	29.4	6-M20
K11 500A/A2-11	500	196.869	235	190	280	135	20	29.4	6-M20
K11 630A/A2-11	630	196.869	235	190	280	160	20	29.4	6-M20
K11 630A/A2-15	630	285.775	330.2	200	380	160	21	35.7	6-M24
K11 800A/A2-15	800	285.775	330.2	280	380	186	21	35.7	6-M24
K11 800A/A2-20	800	412.775	463.6	385	520	186	23	42.1	6-M24
K11 1000A/A2-15	1000	285.775	330.2	280	380	208	21	35.7	6-M24
K11 1000A/A2-20	1000	412.755	463.6	400	520	208	23	42.1	6-M24

**K11 SERIES** DIRECT MOUNTING  
**THREE-JAW**

**SELF-CENTRING CHUCK**

**K11系列短锥三爪自定心卡盘**



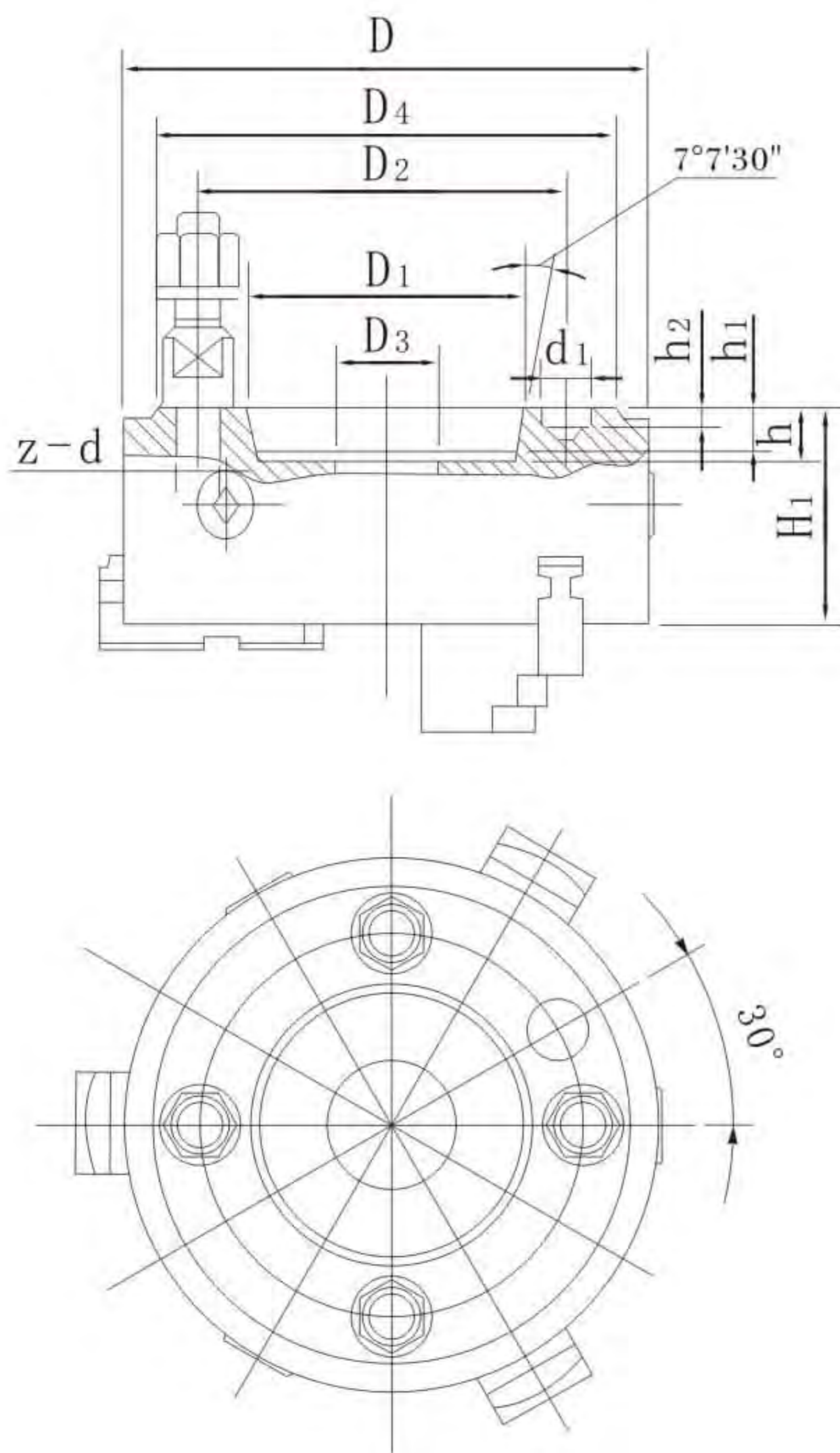
**说明** Explain

K11系列短锥三爪自定心卡盘采用短圆锥孔定位，定位精度高，拆装快捷、方便、可靠。按其于机床主轴端部连接型式分为A型(穿通螺钉连接)、C型(拨盘、螺栓锁紧连接)、D型(拉杆、凸轮锁紧连接)三种型式。

K11series direct Mounting Three-jaw Self-centring chucks adopt short-conical hole centring, which are accurate in centring, easy to remove, convenient and reliable. Three types are divided according to the way of joining with the spindle nose of machines: Type A(joined with screw), Type C(bolt locking joint), Type D(pull rod, cam locking joint).

**规格表** Specifications

二: C型: 拨盘/螺栓锁紧连接  
Two: Type C: bolt locking joint



规格/型式 SEPC./MODEL	D	D <sub>1</sub>	D <sub>2</sub>	D <sub>3</sub>	D <sub>4</sub>	H <sub>1</sub>	h	h <sub>1</sub>	h <sub>2</sub>	d <sub>1</sub>	z-d
K11125/C3	125	53.975	75	25	102	63	13	10	-	-	3-M10
K11125/C4	125	63.513	82.6	25	112	63	13	10	6.5	14.7	3-M10
K11160/C3, K11160A/C3	160	53.975	75	40	102	78	13	10	-	-	3-M10
K11160/C4, K11160A/C4	160	63.513	82.6	40	112	78	13	10	6.5	14.7	3-M10
K11160/C5, K11160A/C5	160	82.563	104.8	40	135	78	15	12	6.5	16.3	4-M10
K11200/C4, K11200A/C4	200	63.513	82.6	60	112	88	-	10	6.5	14.7	3-M10
K11200/C5, K11200A/C5	200	82.563	104.8	50	135	88	15	12	6.5	16.3	4-M10
K11200/C6, K11200A/C6	200	106.375	133.4	60	170	88	16	13	6.5	19.5	4-M12
K11250/C5, K11250A/C5	250	82.563	104.8	79	135	95	-	12	6.5	16.3	4-M10
K11250/C6, K11250A/C6	250	106.375	133.4	70	170	95	16	13	6.5	19.5	4-M12
K11250/C8, K11250A/C8	250	139.719	171.4	80	220	95	18	14	8	24.2	4-M16
K11315/C6, K11315A/C6	315	106.375	133.4	100	170	112	16	13	6.5	19.5	4-M12
K11315/C8, K11315A/C8	315	139.719	171.4	100	220	112	18	14	8	24.2	4-M16
K11315/C11, K11315A/C11	315	196.869	235	100	290	112	20	16	10	29.4	6-M20
K11320/C6, K11320A/C6	320	106.375	133.4	100	170	112	16	13	6.5	19.5	4-M12
K11320/C8, K11320A/C8	320	139.719	171.4	100	220	112	18	14	8	24.2	4-M16
K11320/C11, K11320A/C11	320	196.869	235	100	290	112	20	16	10	29.4	6-M20
K11325/C6, K11325A/C6	325	106.375	133.4	100	170	112	16	13	6.5	19.5	4-M12
K11325/C8, K11325A/C8	325	139.719	171.4	100	220	112	18	14	8	24.2	4-M16
K11325/C11, K11325A/C11	325	196.869	235	100	290	112	20	16	10	29.4	6-M20
K11380/C8, K11380A/C8	380	139.719	171.4	130	220	122	18	14	8	24.2	4-M16
K11380/C11, K11380A/C11	380	196.869	235	130	290	122	20	16	10	29.4	6-M20
K11400/C8, K11400A/C8	400	139.719	171.4	130	220	122	18	14	8	24.2	4-M16
K11400/C11, K11400A/C11	400	196.869	235	130	290	122	20	16	10	29.4	6-M20
K11500/C11, K11500A/C11	500	196.869	235	190	290	135	-	16	10	29.4	6-M20
K11500/C15, K11500A/C15	500	258.755	330.2	200	400	135	21	17	10	35.7	6-M24
K11630/C11, K11630A/C11	630	196.869	235	190	290	150	-	16	10	29.4	6-M20
K11630/C15, K11630A/C15	630	285.775	330.2	260	400	150	21	17	10	35.7	6-M24

**K11 SERIES** DIRECT MOUNTING  
**THREE-JAW**

**SELF-CENTRING CHUCK**

**K11系列短锥三爪自定心卡盘**



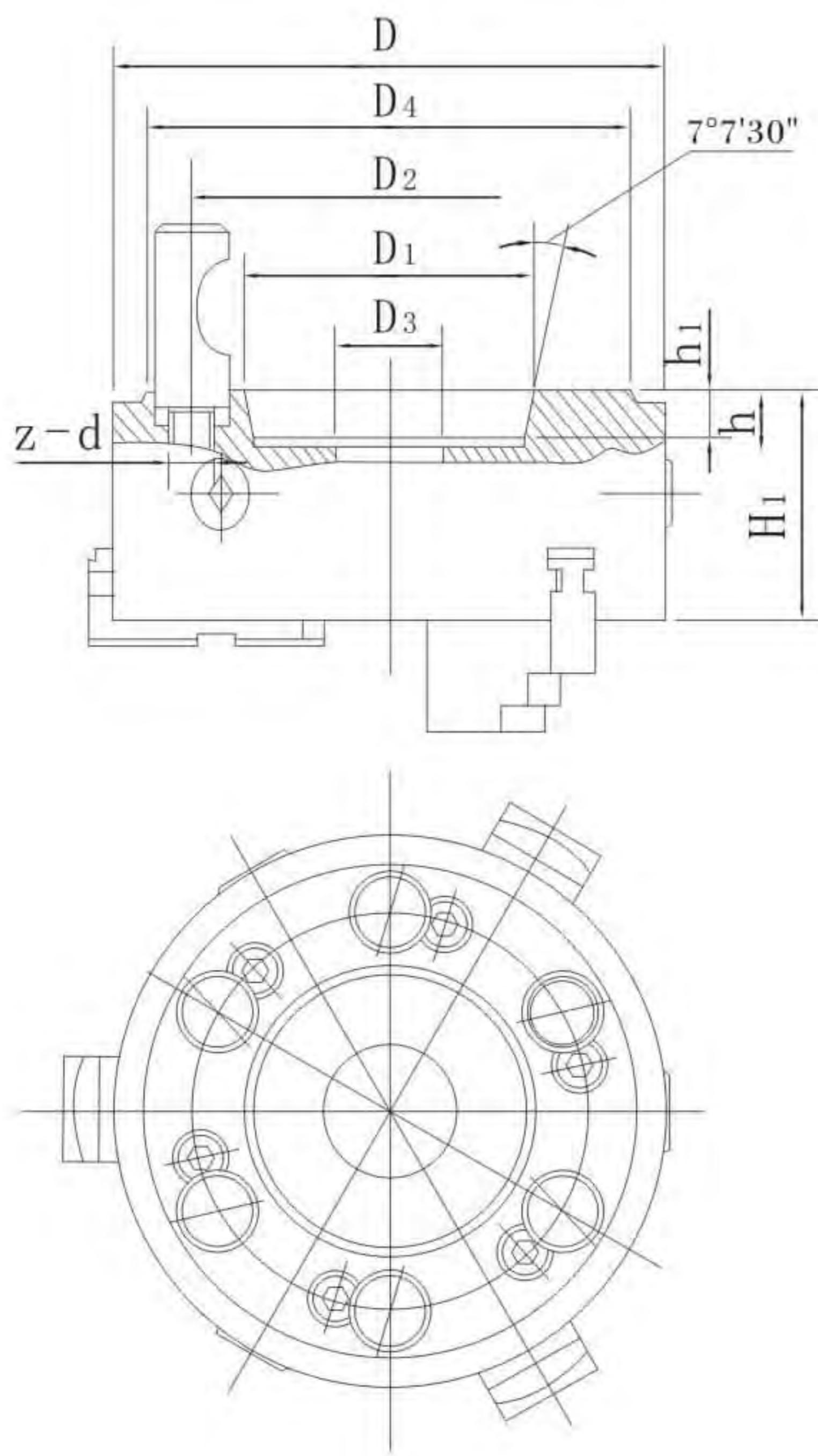
**说明 Explain**

K11系列短锥三爪自定心卡盘采用短圆锥孔定位，定位精度高，拆装快捷、方便、可靠。按其于机床主轴端部连接型式分为A型(穿通螺钉连接)、C型(拔盘、螺栓锁紧连接)、D型(拉杆、凸轮锁紧连接)三种型式。

K11series direct Mounting Three-jaw Self-centring chucks adopt short-conical hole centring, which are accurate in centring, easy to remove, convenient and reliable. Three types are divided according to the way of joining with the spindle nose of machines: Type A(joined with screw), Type C(bolt locking joint), Type D(pull rod, cam locking joint).

**规格表 Specifications**

三: D型: 拉杆/凸轮锁紧连接  
Three: Type D: pull rod, cam locking joint

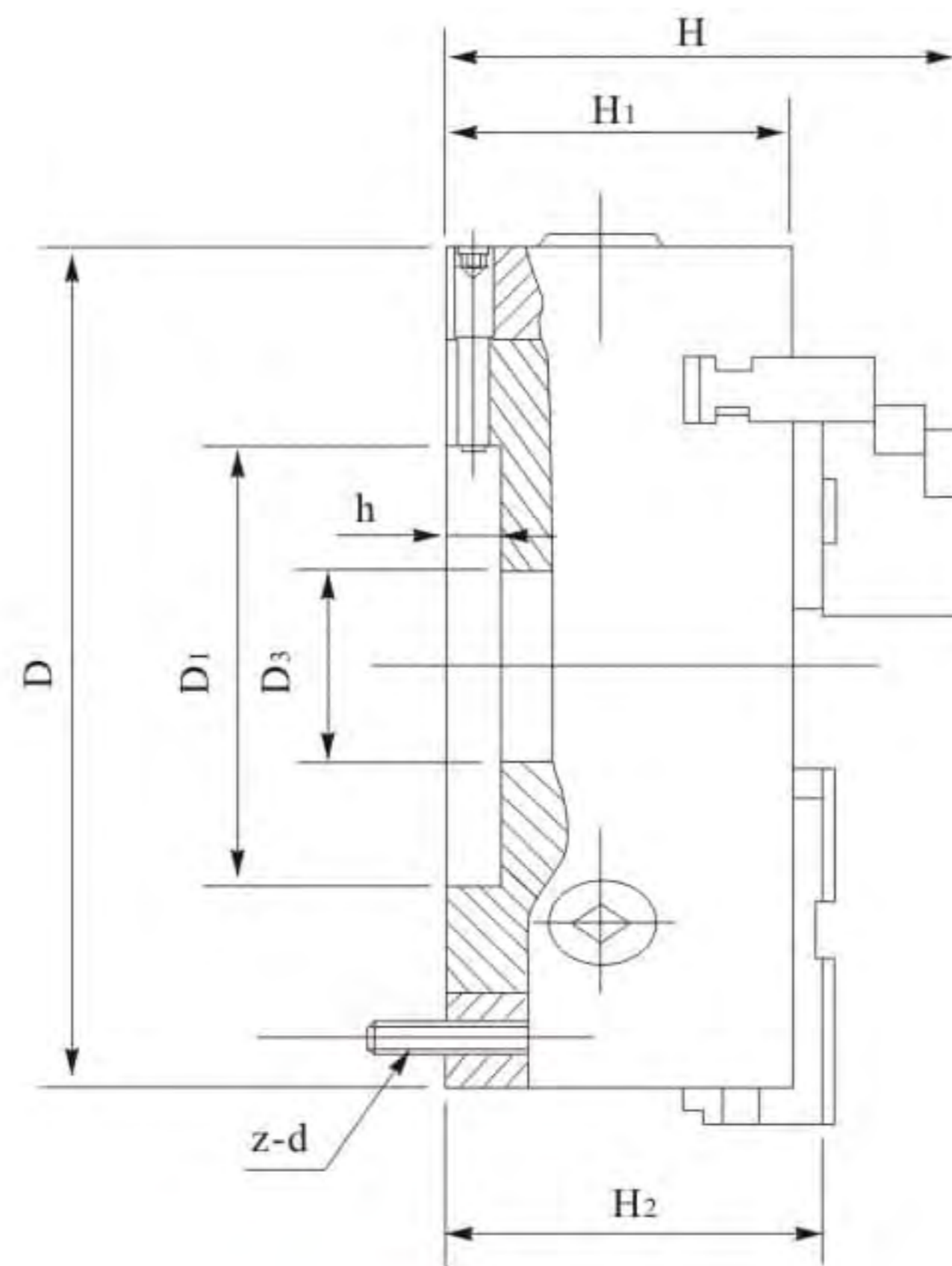
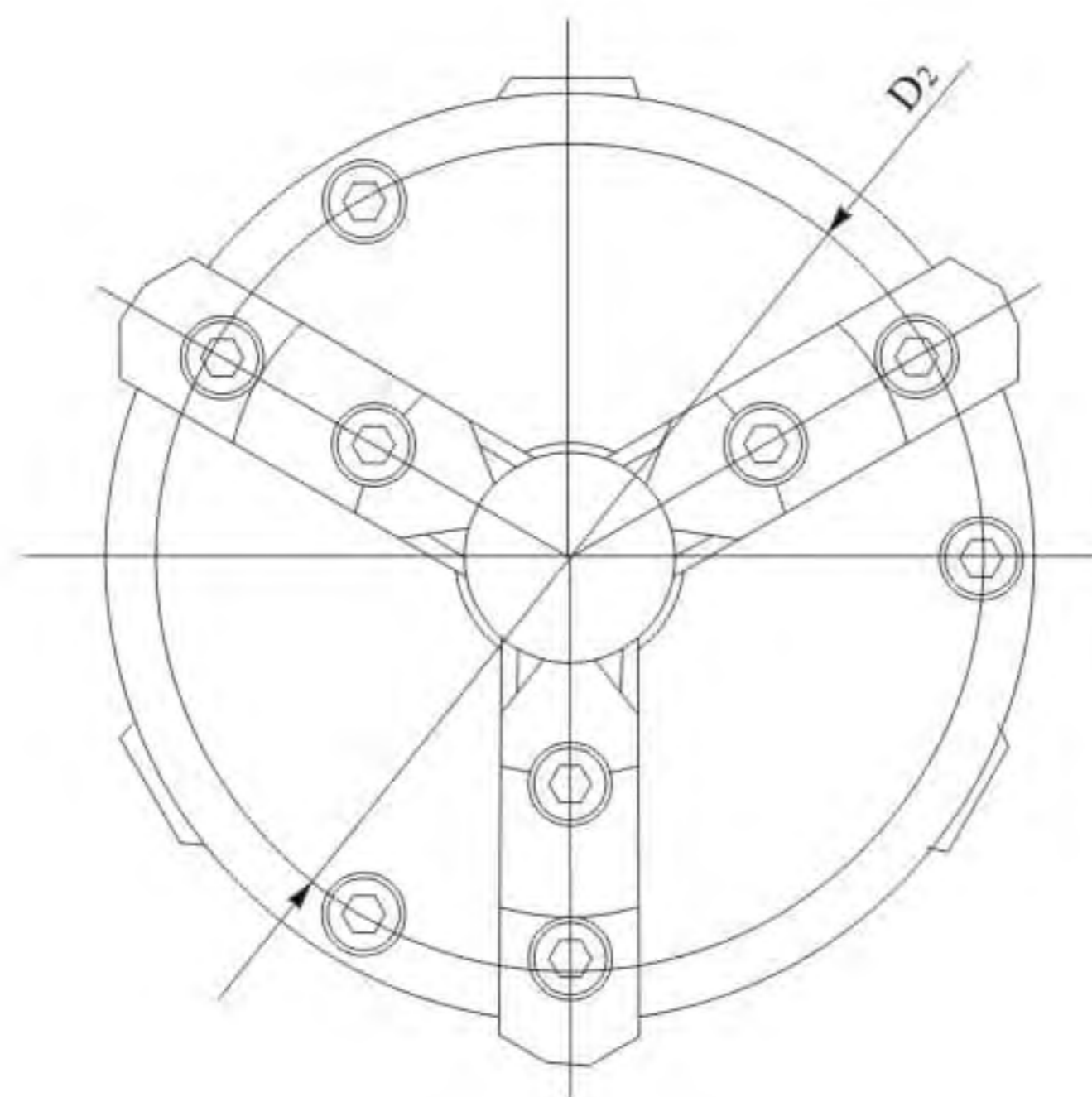


规格/型式 SEPC./MODEL	D	D <sub>1</sub>	D <sub>2</sub>	D <sub>3</sub>	D <sub>4</sub>	H <sub>1</sub>	h	h <sub>1</sub>	z-d
K11125/D3	125	53.975	70.6	25	92	63	13	10	3-M10X1
K11125/D4	125	63.513	82.6	25	117	63	13	10	3-M10X1
K11160/D3, K11160A/D3	160	53.975	70.6	40	92	80	13	10	3-M10X1
K11160/D4, K11160A/D4	160	63.513	82.6	40	117	73	13	10	3-M10X1
K11160/D5, K11160A/D5	160	82.563	104.8	40	146	78	15	12	6-M12X1
K11200/D4, K11200A/D4	200	63.513	82.6	60	117	88	-	10	3-M10X1
K11200/D5, K11200A/D5	200	82.563	104.8	50	146	88	15	12	6-M12X1
K11200/D6, K11200A/D6	200	106.375	133.4	60	181	88	16	13	6-M16X1.5
K11250/D5, K11250A/D5	250	82.563	104.8	79	146	95	-	12	6-M12X1
K11250/D6, K11250A/D6	250	106.375	133.4	70	181	95	16	13	6-M16X1.5
K11250/D8, K11250A/D8	250	139.719	171.4	80	225	98	18	14	6-M20X1.5
K11315/D6, K11315A/D6	315	106.375	133.4	100	181	112	16	13	6-M16X1.5
K11315/D8, K11315A/D8	315	139.719	171.4	105	225	112	18	14	6-M20X1.5
K11315/D11, K11315A/D11	315	196.869	235	100	298	112	20	16	6-M22X1.5
K11320/D6, K11320A/D6	320	106.375	133.4	100	181	112	16	13	6-M16X1.5
K11320/D8, K11320A/D8	320	139.719	171.4	105	225	112	18	14	6-M20X1.5
K11320/D11, K11320A/D11	320	196.869	235	100	298	112	20	16	6-M22X1.5
K11325/D6, K11325A/D6	325	106.375	133.4	100	181	112	16	13	6-M16X1.5
K11325/D8, K11325A/D8	325	139.719	171.4	105	225	112	18	14	6-M20X1.5
K11325/D11, K11325A/D11	325	196.869	235	100	298	112	20	16	6-M22X1.5
K11380/D8, K11380A/D8	380	139.719	171.4	130	225	122	18	14	6-M20X1.5
K11380/D11, K11380A/D11	380	196.869	235	130	298	122	20	16	6-M22X1.5
K11400/D8, K11400A/D8	400	139.719	171.4	130	225	122	18	14	6-M20X1.5
K11400/D11, K11400A/D11	400	196.869	235	130	298	122	20	16	6-M22X1.5
K11500/D11, K11500A/D11	500	196.869	235	190	298	135	-	16	6-M22X1.5
K11500/D15, K11500A/D15	500	285.775	330.2	200	403	135	21	17	6-M24X1.5
K11630/D11, K11630A/D11	630	196.869	235	190	298	160	-	16	6-M22X1.5
K11630/D15, K11630A/D15	630	285.775	330.2	260	403	160	21	17	6-M24X1.5
K11800A/D15	800	285.775	330.2	260	403	186	21	17	6-M24X1.5
K11800A/D20	800	412.775	463.6	385	546	186	23	19	6-M27X2

**KM31 SERIES.....**  
**THREE-JAW**

PRECISION ADJUSTABLE SELF-CENTERING CHUCKS

精密可调三爪自定心卡盘



**说明** Explain

KM31系列精密可调三爪自定心卡盘，采用A型分离爪，具有可调结构，调整后的卡盘精密度可达到0.01mm， $\phi$  400mm的卡盘可达到0.02mm。

Adjustable precision 3-jaw self-centering chuck Km31 series are with 2-piece jaws and adjustable precision. After adjusting, the accuracy can be 0.01mm. And Km31400 can be 0.02mm.

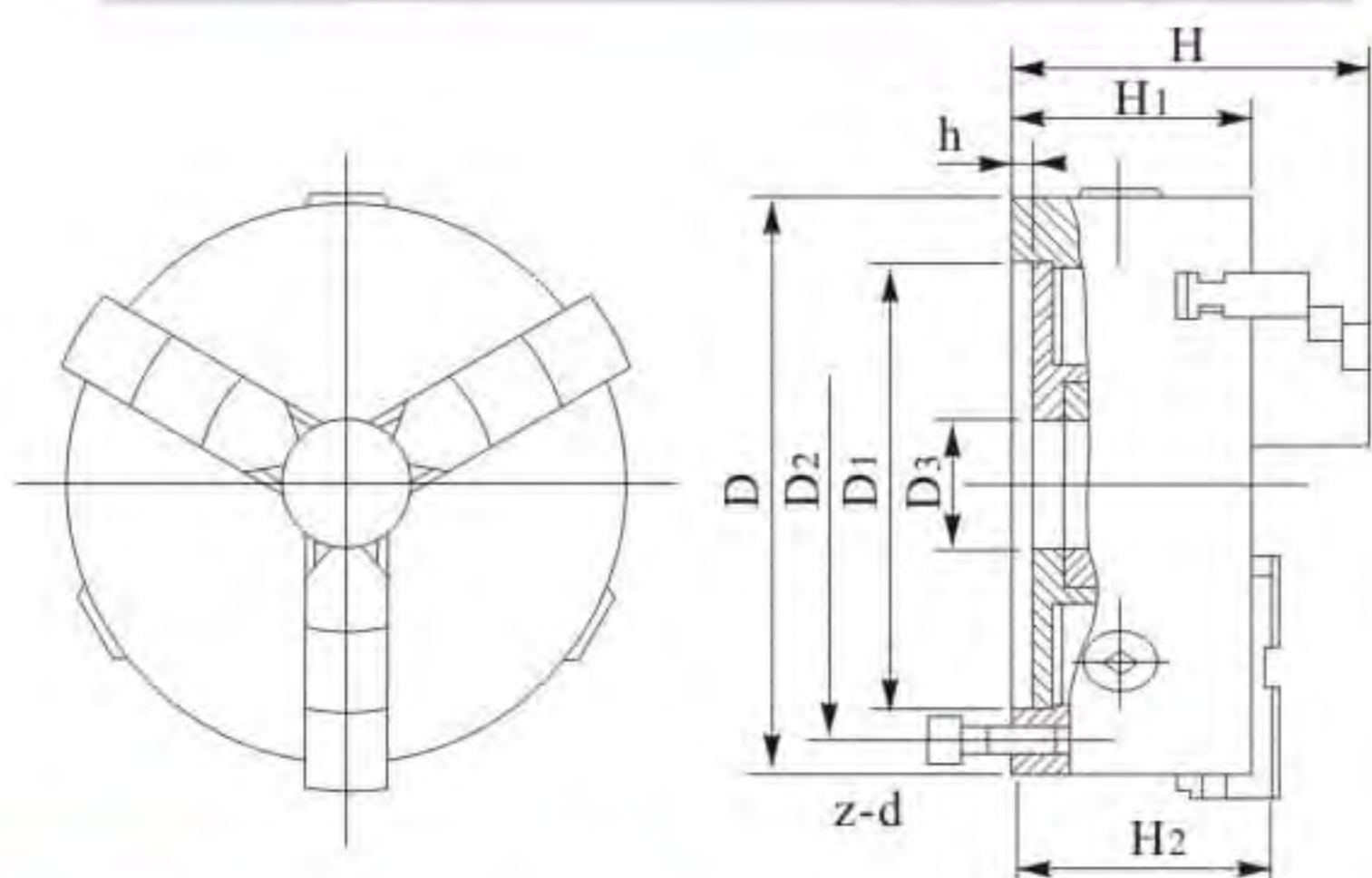
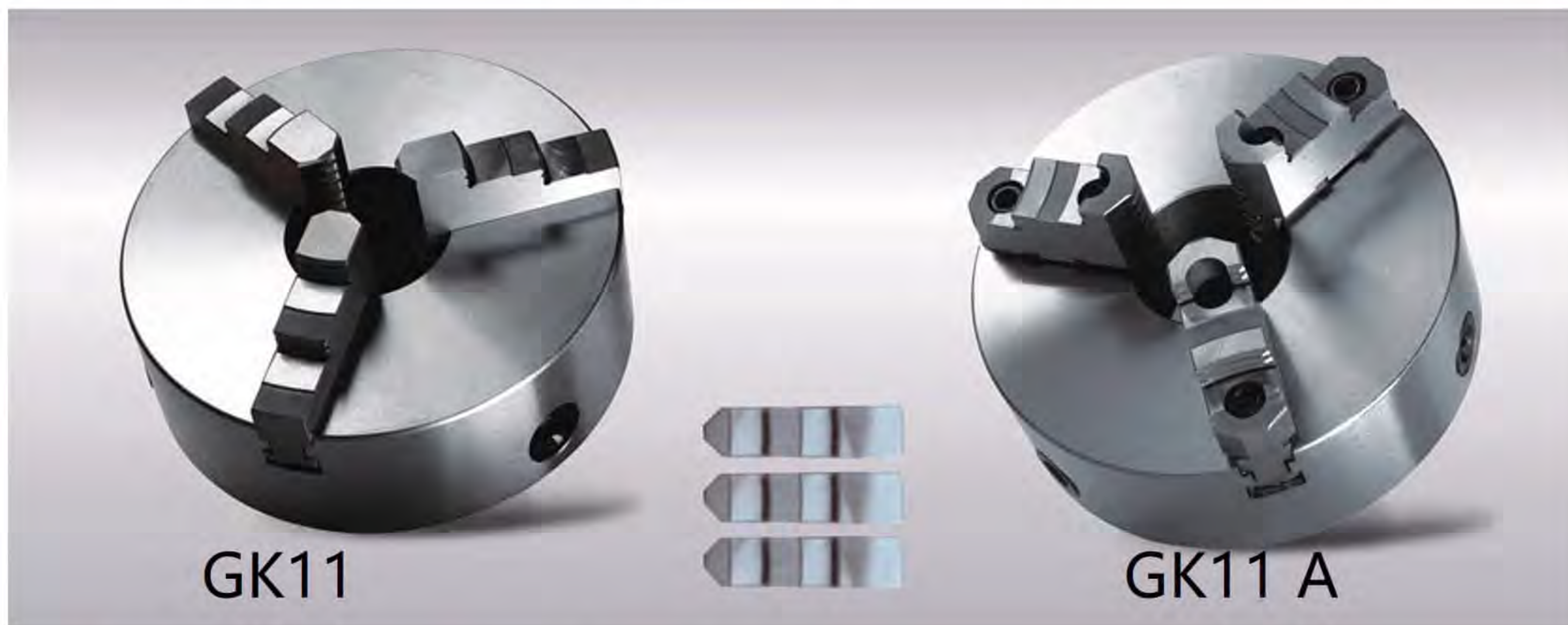
**规格表** Specifications

规格/型式 SEPC./MODEL	D	D1	D2	D3	H	H1	h	z-d
KM31160A	160	86	140	45	119	75	18.5	3-M10
KM31200A	200	110	160	55	132	85	19	3-M10
KM31250A	250	145	224	80	144.5	90	20	3-M12
KM31315A	317	180	286	104	158.5	100	20	3-M16
KM31400A	400	299.3	171.45	136	175	108	21	6-M16

# GK11 SERIES..... THREE-JAW

## STEEL BODY SELF-CENTRING CHUCK

## GK11系列钢体三爪自定心卡盘



### 说明 Explain

GK11系列的产品为钢材质，盘体刚性更好，更耐用，转速更高，符合高速切削的需要。  
Gk11 series of products are made of steel, with better rigidity, durability and higher speed, which meet the needs of high-speed cutting.

卡盘外径 mm Chuck diameter( mm)	极限转速 (钢盘体) RMP MAX RMP(steel body)
80	7600
100	6100
125	4880
160	3820
200	3050
250	2440
320	1940
400	1525
500	1220
630	970
800	700
1000	550
1250	300

此表格极限转速并非切削工作时所允许转速，当卡盘转速超过极限转速的75%时，用户应当自行进行高速试验，得出合适的切削极限转速。  
The limit speed in this table is not allowed for cutting operation. When the chuck speed exceeds 75% of the limit speed, the user should carry out the high-speed test and get the appropriate cutting limit speed.

### 规格表 Specifications

规格/型式 SEPC. /MODEL	D1	D2	D3	H	H1	H2	h	z-d
GK1180	55	66	16	66	50	-	3.5	3-M6
GK11100	72	84	22	74.5	55	-	3.5	3-M8
GK11125	95	108	30	85	58	-	4	3-M8
GK11130	100	115	30	85	58	-	4	3-M8
GK11160	130	142	40	95	65	-	5	3-M8
GK11160A	130	142	40	109	65	71	5	3-M8
GK11165	130	145	40	95	65	-	5	3-M8
GK11165A	130	145	40	109	65	71	5	3-M8
GK11190	155	172	55	109	75	-	5	3-M10
GK11190A	155	172	55	122	75	80	5	3-M10
GK11200	165	180	65	109	75	-	5	3-M10
GK11200A	165	180	65	122	75	80	5	3-M10
GK11240	195	215	70	120	80	-	8	3-M12
GK11240A	195	215	70	133	80	85	8	3-M12
GK11250	206	226	80	120	80	-	5	3-M12
GK11250A	206	226	80	133	80	85	5	3-M12
GK11315	260	285	100	142.5	90	-	6	3-M16
GK11315A	260	285	100	155.5	90	96.5	6	3-M16
GK11320	270	290	100	142.5	90	-	6	3-M16
GK11320A	270	290	100	155.5	90	96.5	6	3-M16
GK11325	272	296	100	142.5	90	-	6	3-M16
GK11325A	272	296	100	155.5	90	96.5	6	3-M16
GK11380	325	350	130	155.5	100	-	6	3-M16
GK11380A	325	350	130	170.5	100	96.5	6	3-M16
GK11400	340	368	130	155.5	100	-	6	3-M16
GK11400A	340	368	130	170.5	100	108.5	6	3-M16
GK11500	440	465	200	176	115	-	6	6-M16
GK11500A	440	465	200	203	115	123	6	6-M16
GK11630	560	595	260	192	130	-	7	6-M16
GK11630A	560	595	260	218	130	138	7	6-M16
GK11800A	710	760	385	249	148	158	8	6-M20
GK111000A	910	950	460	266	165	-	8	6-M24
GK111250A	910	950	500	281	180	-	10	6-M24

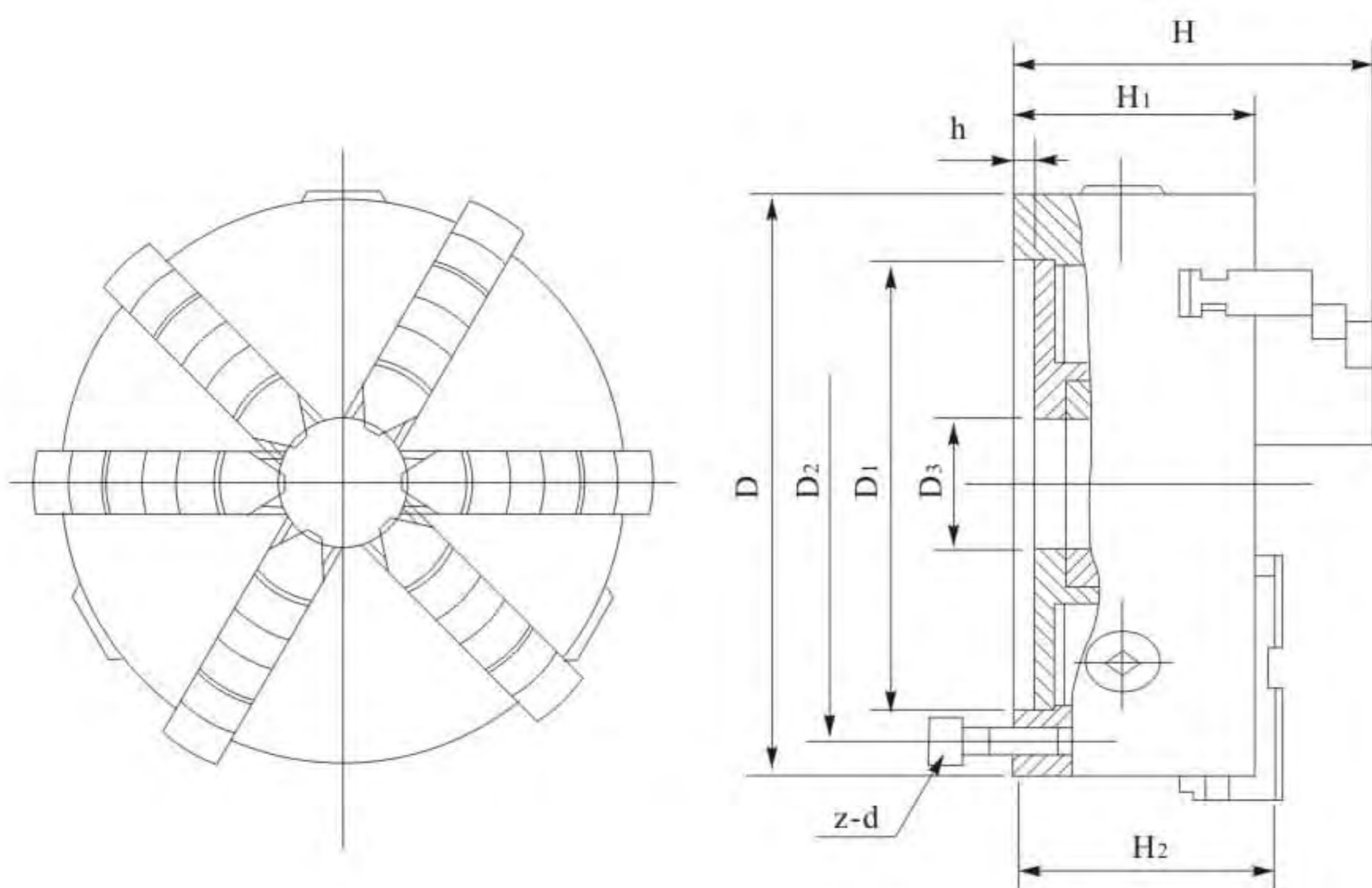
**K13 SERIES**  
**SIX-JAW**

**SELF-CENTRING CHUCK**  
**K13系列三爪自定心卡盘**



K13 A

K13



软上爪  
top soft jaw

软爪  
soft jaw

**说明** Explain

K13型三爪自定心卡盘为K13、K13A二种型号。K13型配带正爪和反爪各一副，可分别使用，K13A型配带符合ISO3442标准的分离爪。并可根据用户提供软卡爪，经随机配车(磨)后可获得较高定心精度，满足夹持要求。

K13 series Three-jaw Self-centring chuck is subdivided into two types, K13, K13A. Type K11 provides two sets of jaws in different directions which can be used respectively. Type K13A provides ISO3442 standard jaws. Soft jaws are to be provided on request. Higher centring accuracy can be achieved after being rubbed on the machine, so as to satisfy the need for holding.

**规格表** Specifications

规格/型式 SEPC. / MODEL	D1	D2	D3	H	H1	H2	h	z-d
K13160	130	142	40	95	65	-	5	3-M8
K13200	165	180	65	109	75	-	5	3-M10
K13250	206	226	80	120	80	-	5	3-M12
K13320	270	290	100	142.5	90	-	6	3-M16
K13320A	270	290	100	155.5	90	96.5	6	3-M16
K13400A	340	368	130	170.5	100	108.5	6	3-M16
K13500A	440	465	200	203	115	123	6	3-M16
K13630A	560	595	260	218	130	138	7	3-M16
K13800A	710	760	385	249	148	158	8	6-M20
K131000A	910	950	460	266	165	-	8	6-M24
K131250A	910	950	500	281	180	-	10	6-M24

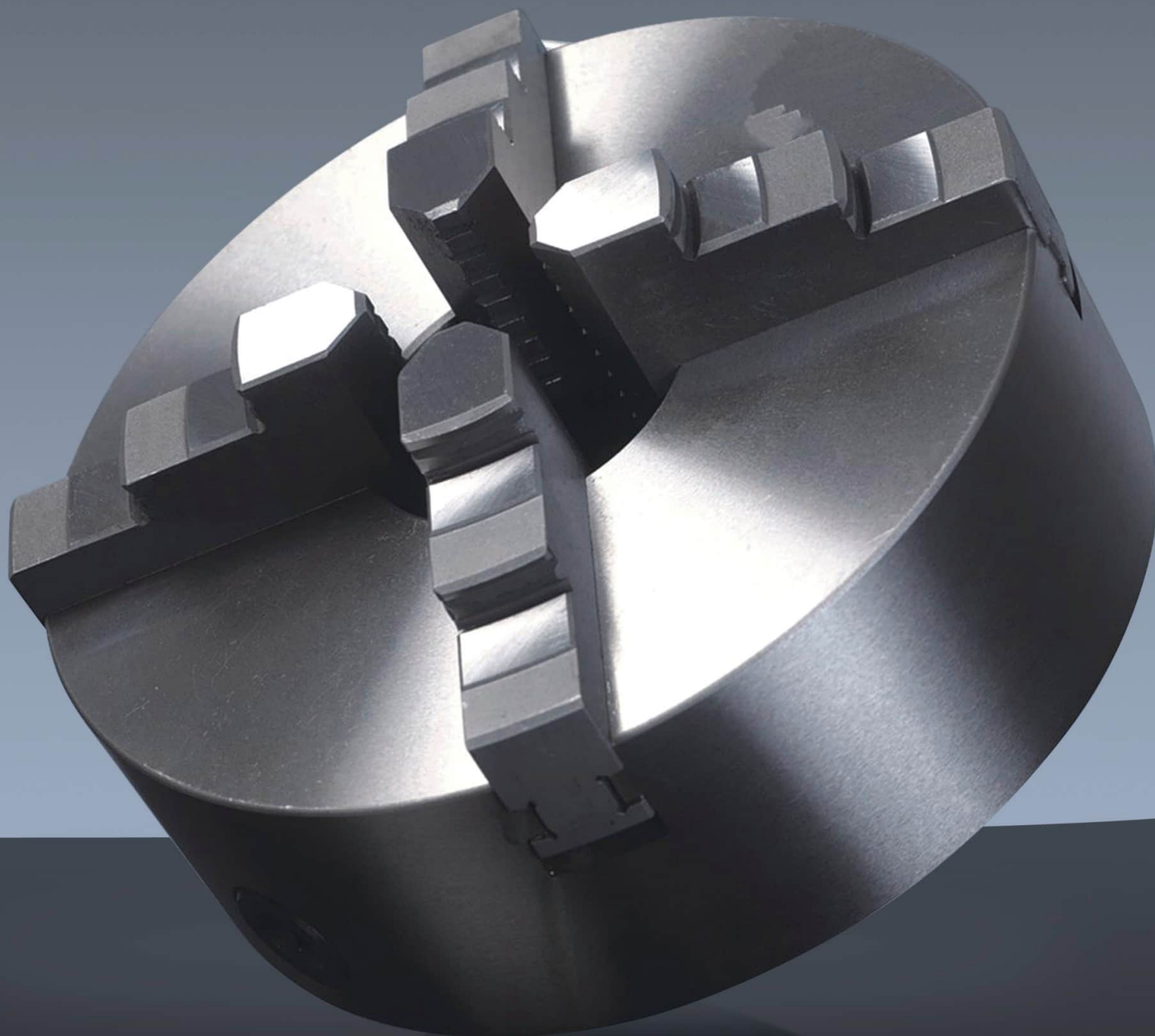


**4.**

**FOUR-JAW**

SELF-CENTRING CHUCK

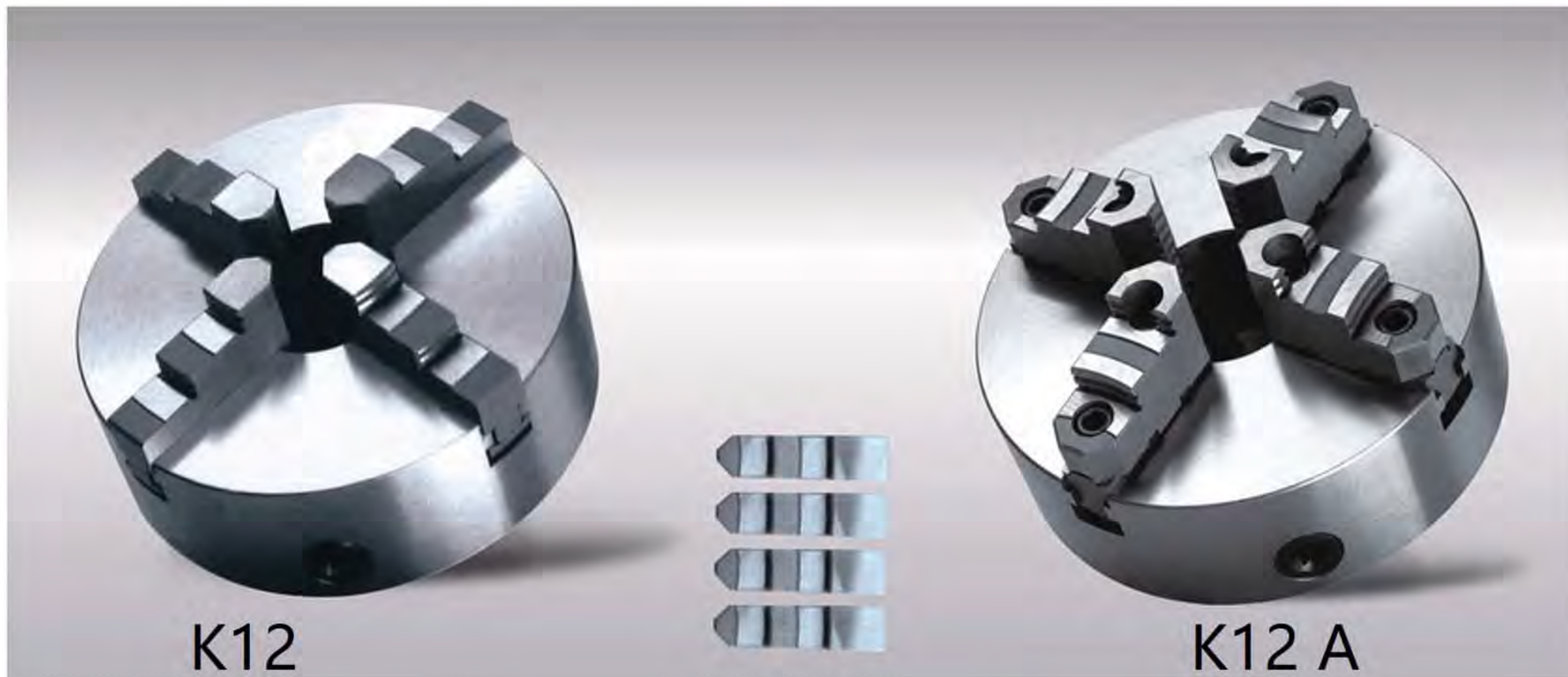
四爪自定心卡盘▶



# K12 SERIES FOUR-JAW

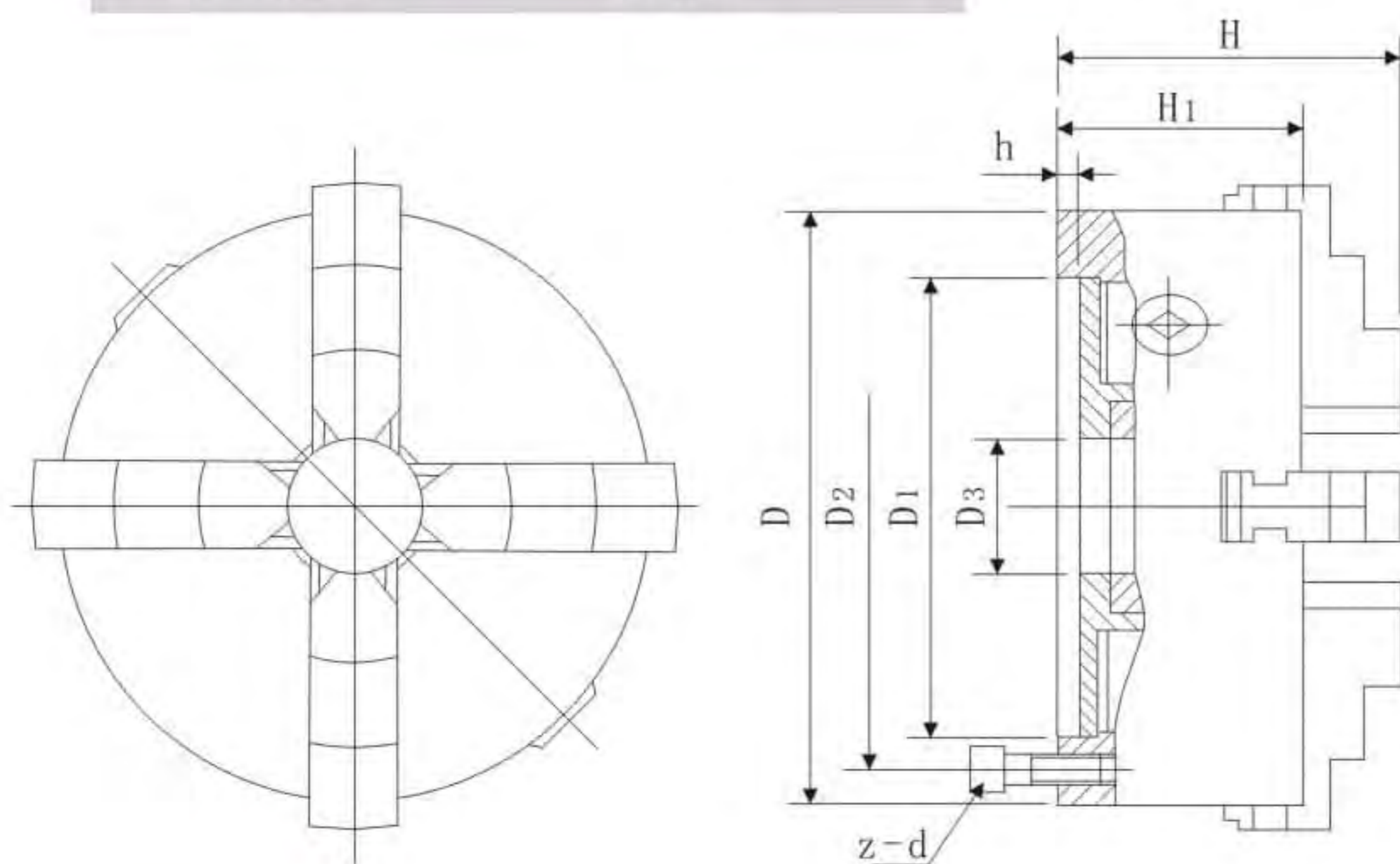
## SELF-CENTRING CHUCK

## K12系列四爪自定心卡盘



K12

K12 A



### 规格表 Specifications

规格/型式 SEPC./MODEL	D1	D2	D3	H	H1	h	z-d
K1280	55	66	16	66	50	3.5	3-M6
K12100	72	84	22	74.5	55	3.5	3-M8
K12125	95	108	30	85	58	4	3-M8
K12130	100	115	30	85	58	4	3-M8
K12160	130	142	40	95	65	5	3-M8
K12160A	130	142	40	109	65	5	3-M8
K12165	130	145	40	95	65	5	3-M8
K12165A	130	145	40	109	65	5	3-M8
K12190	155	172	55	109	75	5	3-M10
K12190A	155	172	55	122	75	5	3-M10
K12200	165	180	65	109	75	5	3-M10
K12200A	165	180	65	122	75	5	3-M10
K12240	195	215	70	120	80	8	3-M12
K12240	195	215	70	133	80	8	3-M12
K12250	206	226	80	120	80	5	3-M12
K12250	206	226	80	133	80	5	3-M12
K12315	260	285	100	142.5	90	6	3-M16
K12315A	260	285	100	155.5	90	6	3-M16
K12320	270	290	100	142.5	90	6	3-M16
K12320A	270	290	100	155.5	90	6	3-M16
K12325	272	296	100	142.5	90	6	3-M16
K12325A	272	296	100	155.5	90	6	3-M16
K12380	325	350	130	155.5	100	6	3-M16
K12380A	325	350	130	170.5	100	6	3-M16
K12400	340	368	130	155.5	100	6	3-M16
K12400A	340	368	130	170.5	100	6	3-M16
K12500	440	465	200	176	115	6	6-M16
K12500A	440	465	200	203	115	6	6-M16
K12630	560	595	260	192	130	7	6-M16
K12630A	560	595	260	218	130	7	6-M16
K12800A	710	760	385	249	148	8	6-M20
K121000A	910	950	460	266	162	8	6-M24

### 说明 Explain

K12系列四爪自定心卡盘适用于具有一定批量的各种正方形、八棱型等零件的加工，可自动定心，快速夹紧。K12型配带正爪和反爪各一副，可分别使用。

K12 series Four-jaw Self-centring chuck is suitable for batch process of square, eight-square prism accessories and is self centring. Type K12 provides two sets of jaws in different directions, which can be used respectively, Type K12A provides ISO3442 standard jaws.

**4.**

**FOUR-JAW**  
INDEPENDENT CHUCK

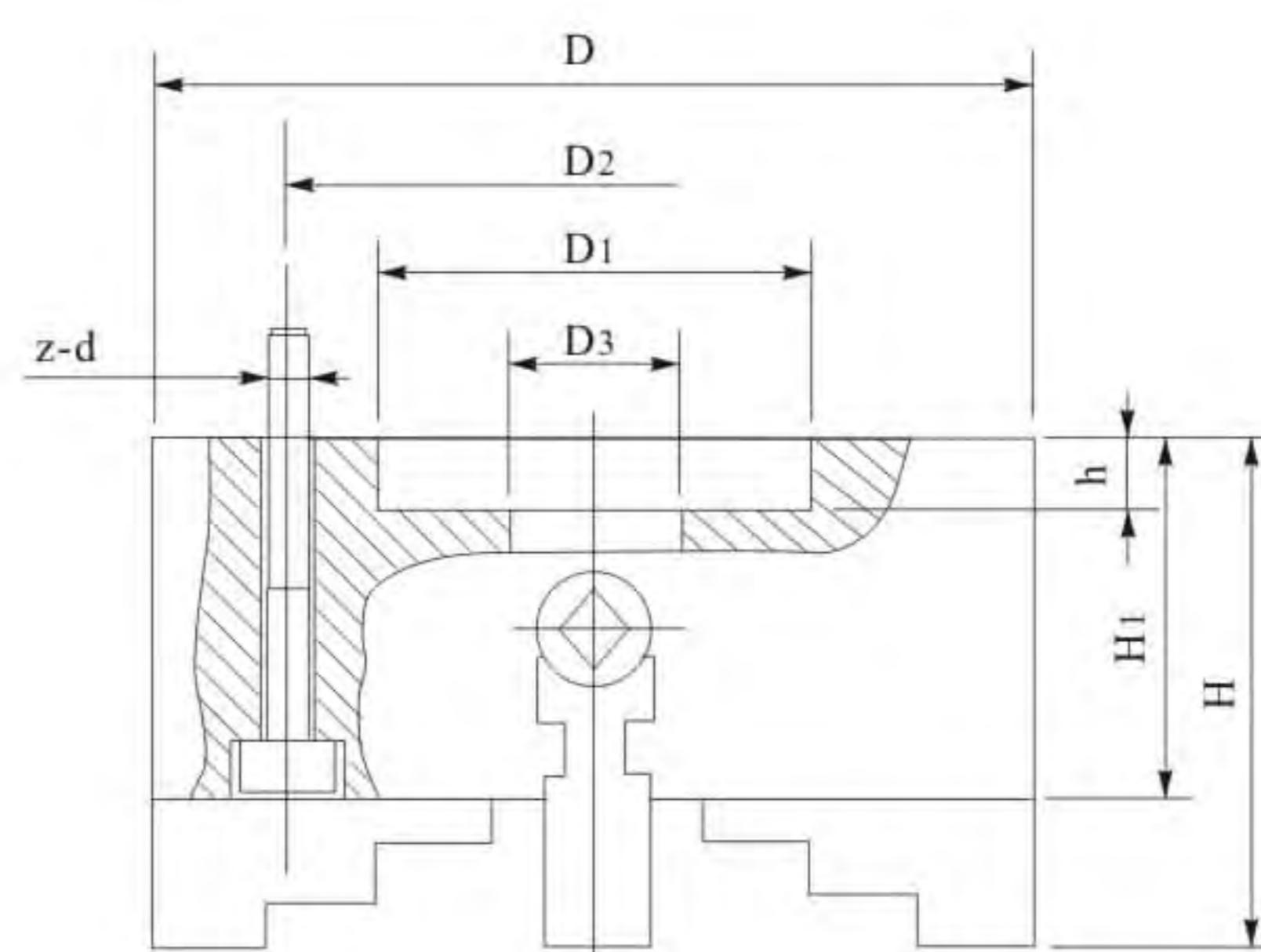
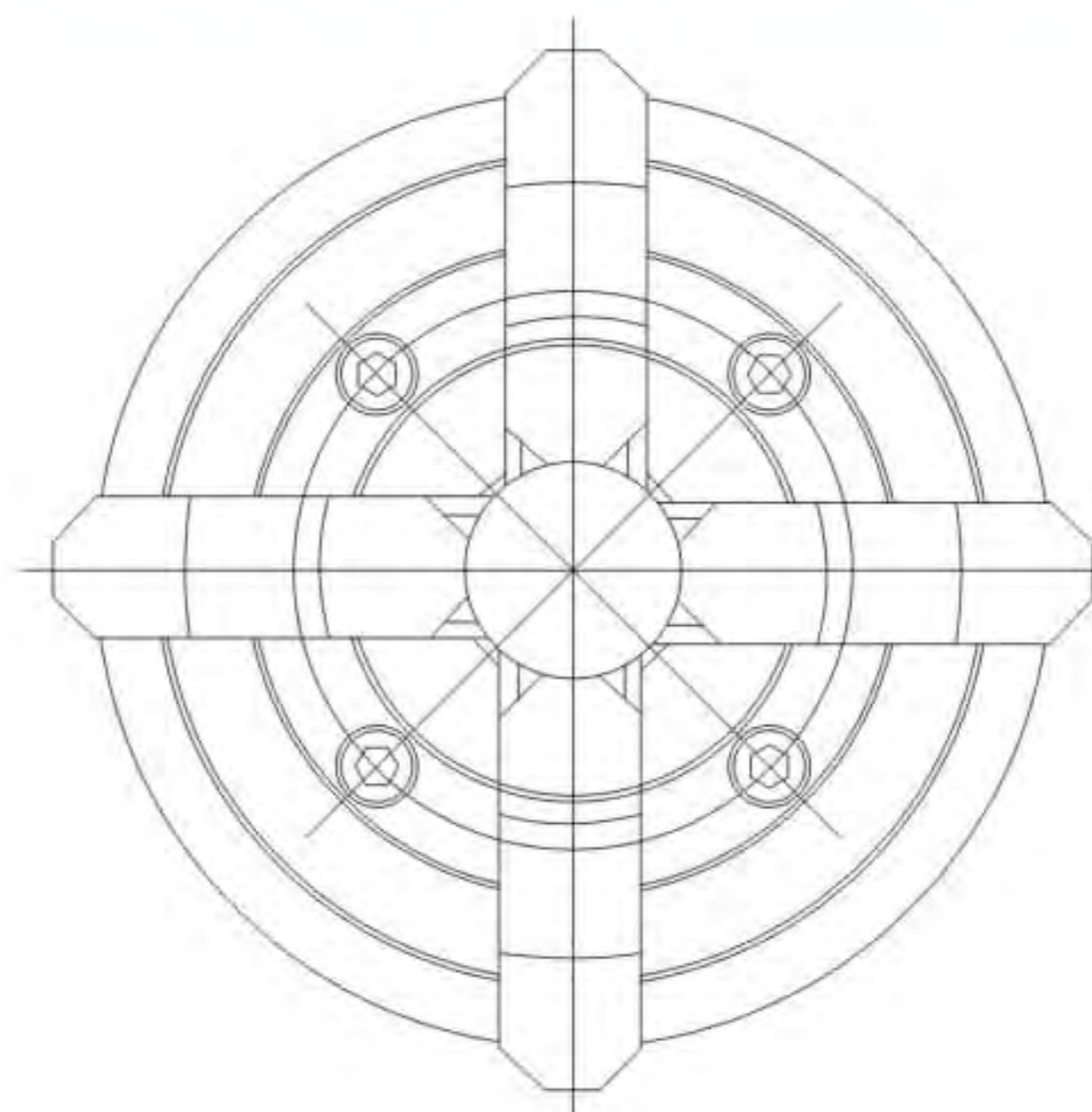
四爪单动卡盘 ▶



**K72 SERIES** .....  
**FOUR-JAW**

**INDEPENDENT CHUCK**

**K72系列四爪单动卡盘**



**说明** Explain

K72系列四爪单动卡盘采用短圆柱型和短圆锥型。短圆锥型按其  
与机床主轴连接式分为A型（穿通螺钉连接）、C型（拔盘、螺  
栓锁紧连接）、D型（拉杆、凸轮锁紧连接）三种型式。

K72 series Four-jaw independent chuck adopts short cylinder  
and short circular cone shape. Short circular cone shape can  
be subdivided into two types according to the way of joining  
with the spindle nose of machine tool: Type A (joined with  
screw), Type C (bolt locking joint), Type D (pull rod, cam  
locking joint).

**规格表** Specifications

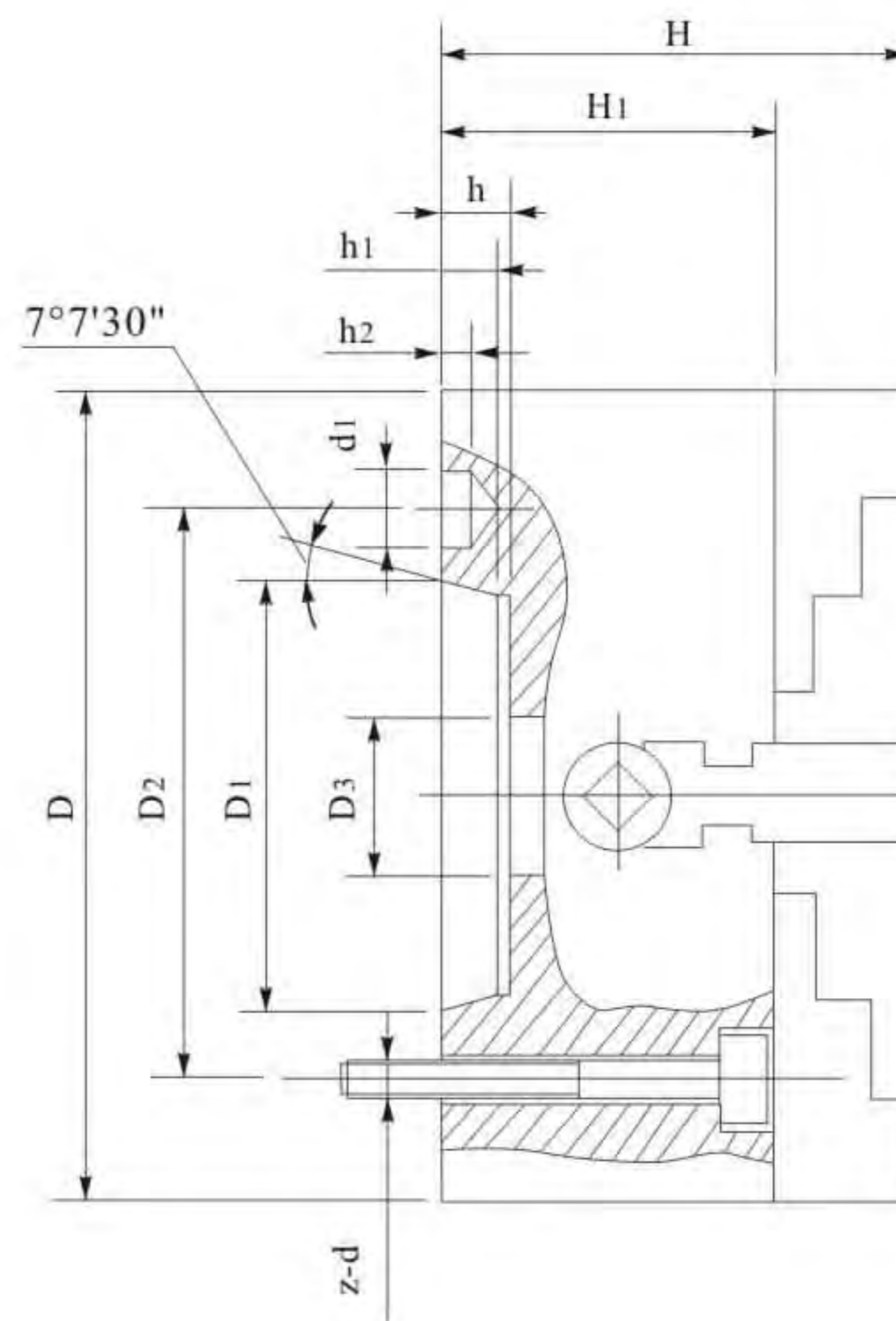
—: 短圆柱型  
One/Short cylinder type

规格/型式 SEPC./MODEL	D1	D2	D3	H	H1	h	z-d
K7280	55	66	22	59	43	4	4-M6
K72100	72	84	25	77	54	4	4-M8
K72125	95	108	30	78	56	5	4-M8
K72130	65	95	45	93	65	5	4-M10
K72200	75	95	55	107	75	6	4-M10
K72250	110	130	75	120	80	6	4-M12
K72315/K72320	140	165	95	138	90	6	4-M16
K72350	140	168	95	138	90	6	4-M16
K72400	160	185	125	143	95	8	4-M16
K72500	200	236	160	160	105	8	4-M20
K72520	260	300	205	160	105	10	4-M16
K72630	220	258	180	180	116	10	4-M20
K72800	250	300	210	210	135	12	8-M20
K721000	320	370	305	241	148	15	8-M20
K721250	400	500	305	256	165	15	8-M20

# K72 SERIES ..... FOUR-JAW

## INDEPENDENT CHUCK

## K72系列四爪单动卡盘



### 说明 Explain

K72系列四爪单动卡盘采用短圆柱型和短圆锥型。短圆锥型按其和机床主轴端部连接式分为A型（穿通螺钉连接）、C型（拔盘、螺栓锁紧连接）、D型（拉杆、凸轮锁紧连接）三种型式。

K72 series Four-jaw independent chuck adopts short cylinder and short circular cone shape. Short circular cone shape can be subdivided into two types according to the way of joining with the spindle nose of machine tool: Type A(joined with screw), Type C(bolt locking joint), Type D(pull rod, cam locking joint).

### 规格表 Specifications

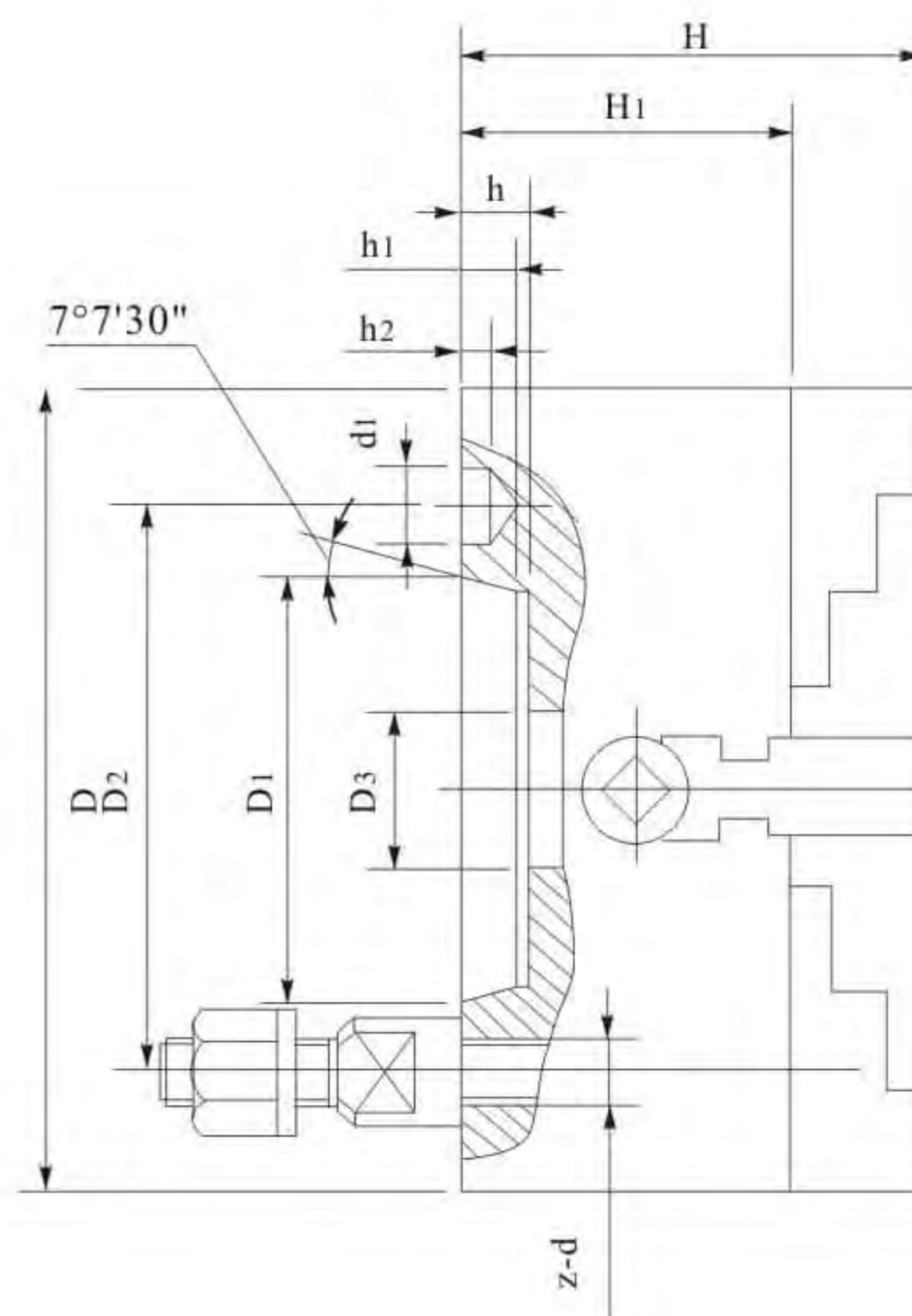
二: A型: 穿通螺钉连接  
Two/Type A: Joined with screw

规格/型式 SEPC./MODEL	D1	D2	D3	H	H1	h	h1	h2	d1	z-d
K72160/A2-4	63.513	82.6	45	93	65	13	10	6.5	14.7	4-M10
K72200/A2-4	63.513	82.6	56	107	75	13	10	6.5	14.7	4-M10
K72250/A2-4	63.513	82.6	61	120	80	13	10	6.5	14.7	4-M10
K72320/A2-4	63.513	82.6	61	138	90	-	10	6.5	14.7	4-M10
K72200/A2-6	106.375	133.4	56	107	75	16	13	6.5	19.5	4-M12
K72250/A2-6	106.375	133.4	75	120	80	16	13	6.5	19.5	4-M12
K72320/A2-6	106.375	133.4	95	138	90	16	13	6.5	19.5	4-M12
K72400/A2-6	106.375	133.4	95	143	95	16	13	6.5	19.5	4-M12
K72500/A2-6	106.375	133.4	103	160	105	-	13	6.5	19.5	4-M12
K72520/A2-8	139.719	171.4	75	120	80	18	14	8	24.2	4-M16
K72320/A2-8	139.719	171.4	95	138	90	18	14	8	24.2	4-M16
K72400/A2-8	139.719	171.4	125	143	95	18	14	8	24.2	4-M16
K72500/A2-8	139.719	171.4	136	160	105	-	14	8	24.2	4-M16
K72320/A2-11	196.869	235	95	138	90	20	16	10	29.4	4-M20
K72400/A2-11	196.869	235	125	143	95	20	16	10	29.4	4-M20
K72500/A2-11	196.869	235	160	160	105	20	16	10	29.4	4-M20
K72630/A2-11	196.869	235	180	180	115	20	16	10	29.4	4-M20
K72500/A2-15	285.775	330.2	160	160	105	21	17	10	35.7	4-M24
K72630/A2-15	285.775	330.2	180	180	115	21	17	10	35.7	4-M24
K72800/A2-11	196.869	235	180	210	135	20	16	10	29.4	8-M20
K72800/A2-15	285.775	330.2	180	210	135	21	17	10	35.7	8-M22
K721000/A2-11	196.869	235	180	236	145	20	16	10	29.4	8-M20
K721000/A2-15	285.775	330.2	280	236	145	21	17	20	35.7	8-M24
K721250/A2-15	285.775	330.2	280	251	160	21	17	20	35.7	8-M24
K721400/A2-15	285.775	330.2	280	246	155	21	17	20	35.7	8-M20
K721400/A2-20	412.775	463.6	305	246	155	23	19	20	42.1	8-M24
K721600/A2-15	285.775	330.2	280	266	175	21	17	20	35.7	8-M20
K721600/A2-20	412.775	463.6	305	266	175	23	19	20	42.1	8-M24

**K72 SERIES** .....  
**FOUR-JAW**

**INDEPENDENT CHUCK**

**K72系列四爪单动卡盘**



**说明 Explain**

K72系列四爪单动卡盘采用短圆柱型和短圆锥型。短圆锥型按其于机床主轴端部连接式分为A型（穿通螺钉连接）、C型（拔盘、螺栓锁紧连接）、D型（拉杆、凸轮锁紧连接）三种型式。

K72 series Four-jaw independent chuck adopts short cylinder and short circular cone shape. Short circular cone shape can be subdivided into two types according to the way of joining with the spindle nose of machine tool: Type A (joined with screw), Type C (bolt locking joint), Type D (pull rod, cam locking joint).

**规格表 Specifications**

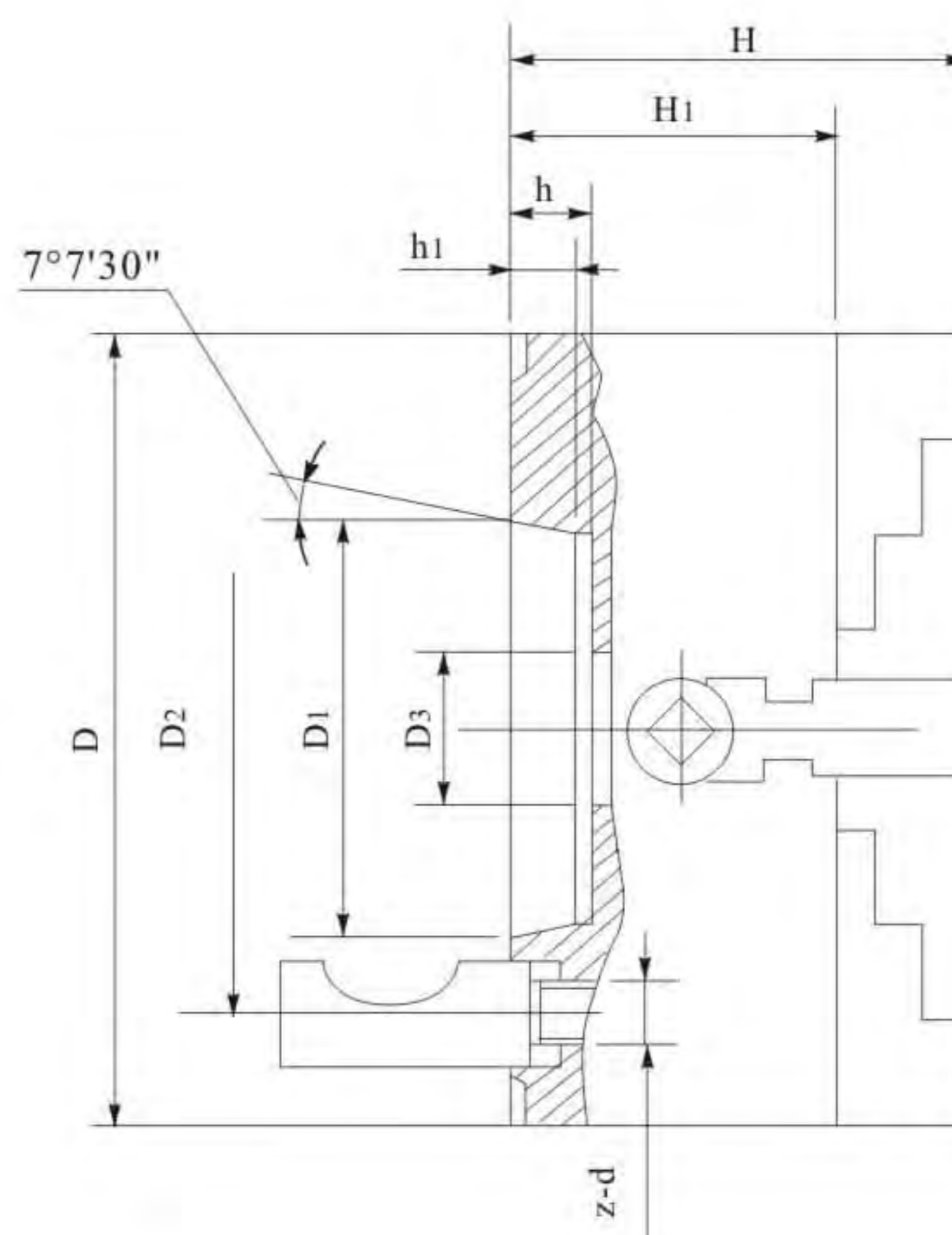
三：C型：拔盘螺栓锁紧连接  
Three/Type C: Bolt locking joint

规格/型式 SEPC./MODEL	D1	D2	D3	H	H1	h	h1	h2	d1	z-d
K72160/C4	63.513	82.6	45	93	65	13	10	6.5	14.7	3-M10
K72200/C4	63.513	82.6	56	107	75	13	10	6.5	14.7	3-M10
K72250/C4	63.513	82.6	61	120	80	-	10	6.5	14.7	3-M10
K72320/C4	63.513	82.6	61	138	90	-	10	6.5	14.7	3-M10
K72200/C6	106.375	133.4	56	107	75	16	13	6.5	19.5	4-M12
K72250/C6	106.375	133.4	75	120	80	16	13	6.5	19.5	4-M12
K72320/C6	106.375	133.4	95	138	90	16	13	6.5	19.5	4-M12
K72400/C6	106.375	133.4	95	143	95	16	13	6.5	19.5	4-M12
K72500/C6	106.375	133.4	103	160	105	-	13	6.5	19.5	4-M12
K72520/C8	139.719	171.4	75	120	80	18	14	8	24.2	4-M16
K72320/C8	139.719	171.4	95	138	90	18	14	8	24.2	4-M16
K72400/C8	139.719	171.4	125	143	95	18	14	8	24.2	4-M16
K72500/C8	139.719	171.4	136	160	105	-	14	8	24.2	4-M16
K72320/C11	196.869	235	95	138	90	20	16	10	29.4	6-M20
K72400/C11	196.869	235	125	143	95	20	16	10	29.4	6-M20
K72500/C11	196.869	235	160	160	105	20	16	10	29.4	6-M20
K72500/C15	285.775	330.2	160	160	105	21	17	10	35.7	6-M20
K72630/C8	139.719	171.4	130	180	115	18	14	8	24.2	4-M16
K72630/C11	196.869	235	180	180	115	20	16	10	29.4	6-M20
K72630/C15	285.775	330.2	180	180	115	21	17	10	35.7	6-M24
K72800/C11	196.869	235	180	210	135	20	16	10	29.4	6-M20
K72800/C15	285.775	330.2	180	210	135	21	17	10	35.7	6-M24
K721000/C11	196.869	235	180	236	145	20	16	10	29.4	6-M20
K721000/C15	285.775	330.2	280	236	145	21	17	10	35.7	6-M24
K721250/C11	196.869	235	180	251	160	20	16	10	29.4	6-M20
K721250/C15	285.775	330.2	280	251	160	21	17	10	35.7	6-M24
K721400/C15	285.775	330.2	280	246	155	21	17	10	35.7	6-M24
K721600/C15	285.775	330.2	280	266	175	21	17	10	35.7	6-M24

# K72 SERIES ..... FOUR-JAW

## INDEPENDENT CHUCK

## K72系列四爪单动卡盘



### 说明 Explain

K72系列四爪单动卡盘采用短圆柱型和短圆锥型。短圆锥型按其于机床主轴端部连接式分为A型（穿通螺钉连接）、C型（拔盘、螺栓锁紧连接）、D型（拉杆、凸轮锁紧连接）三种型式。

K72 series Four-jaw independent chuck adopts short cylinder and short circular cone shape. Short circular cone shape can be subdivided into two types according to the way of joining with the spindle nose of machine tool: Type A (joined with screw), Type C (bolt locking joint), Type D (pull rod, cam locking joint).

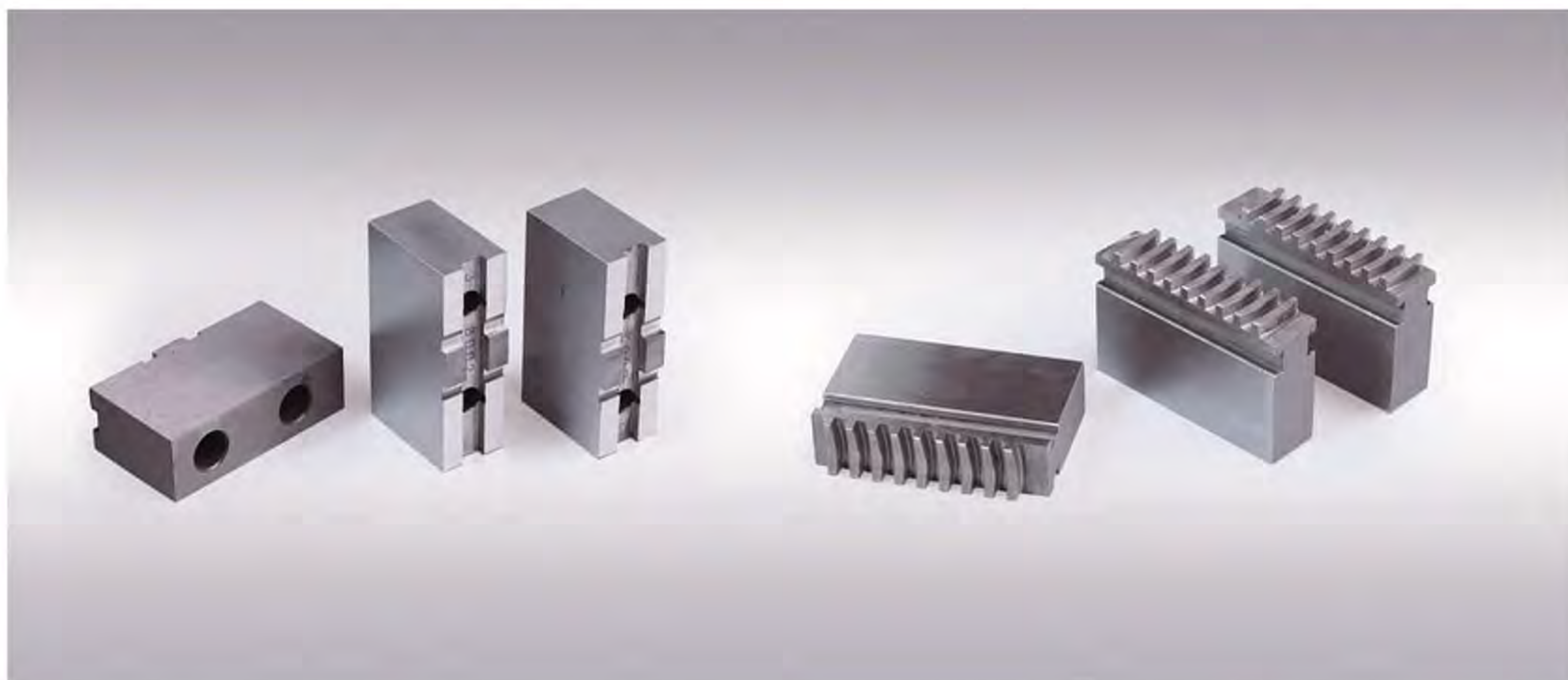
### 规格表 Specifications

四：D型：拉杆、凸轮锁紧连接  
Four/Type D: pull rod, cam locking joint

规格/型式 SEPC./MODEL	D1	D2	D3	H	H1	h	h1	z-d
K72200/D4	63.513	82.6	56	107	75	13	10	3-M10X1
K72250/D4	63.513	82.6	61	120	80	-	10	3-M10X1
K72320/D4	63.513	82.6	61	138	90	-	10	3-M10X1
K72250/D6	106.375	133.4	75	120	80	16	13	6-M16X1.5
K72320/D6	106.375	133.4	95	138	90	16	13	6-M16X1.5
K72400/D6	106.375	133.4	95	143	95	16	13	6-M16X1.5
K72500/D6	106.375	133.4	103	160	105	-	13	6-M16X1.5
K72320/D8	139.719	171.4	95	138	90	18	14	6-M20X1.5
K72400/D8	139.719	171.4	125	143	95	18	14	6-M20X1.5
K72500/D8	139.719	171.4	136	160	105	-	14	6-M20X1.5
K72400/D11	196.869	235	125	143	95	20	16	6-M22X1.5
K72500/D11	196.869	235	160	160	105	20	16	6-M22X1.5
K72630/D11	196.869	235	180	180	115	20	16	6-M22X1.5
K72500/D15	285.775	330.2	160	160	105	21	17	6-M24X1.5
K72630/D15	285.775	330.2	180	180	115	21	17	6-M24X1.5
K72800/D11	196.869	235	180	210	135	20	16	6-M22x1.5
K72800/D15	285.775	330.2	180	210	135	21	17	6-M24x1.5
K721000/D11	196.869	235	180	236	145	20	16	6-M22x1.5
K721000/D15	285.775	330.2	280	236	145	21	17	6-M24x1.5
K721250/D15	285.775	330.2	280	251	160	21	17	6-M24x1.5
K721400/D15	285.775	330.2	280	246	155	21	17	6-M24x1.5
K721600/D15	285.775	330.2	280	266	175	21	17	6-M24x1.5

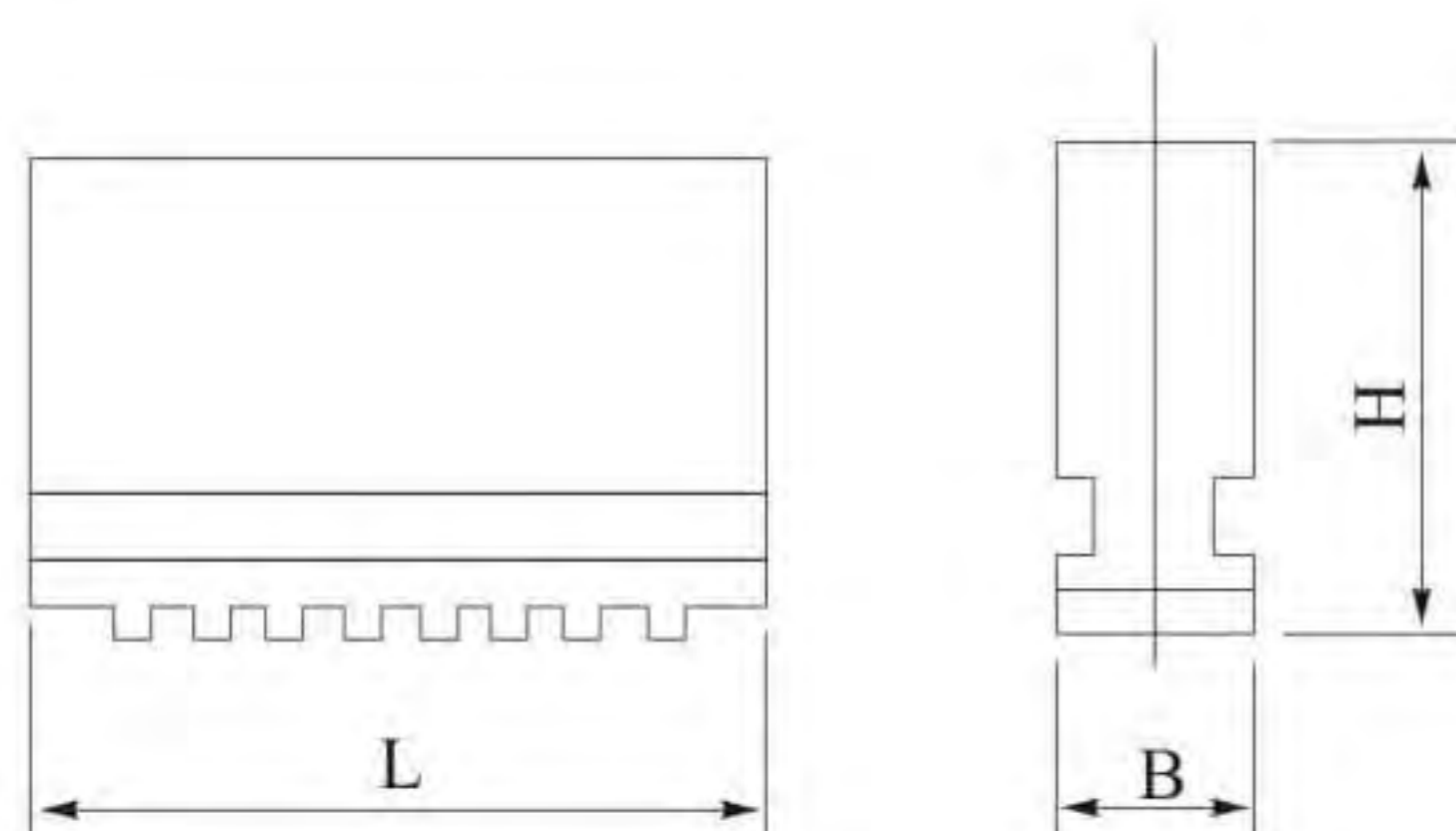
# RZ SOFT JAWS

## 软卡爪



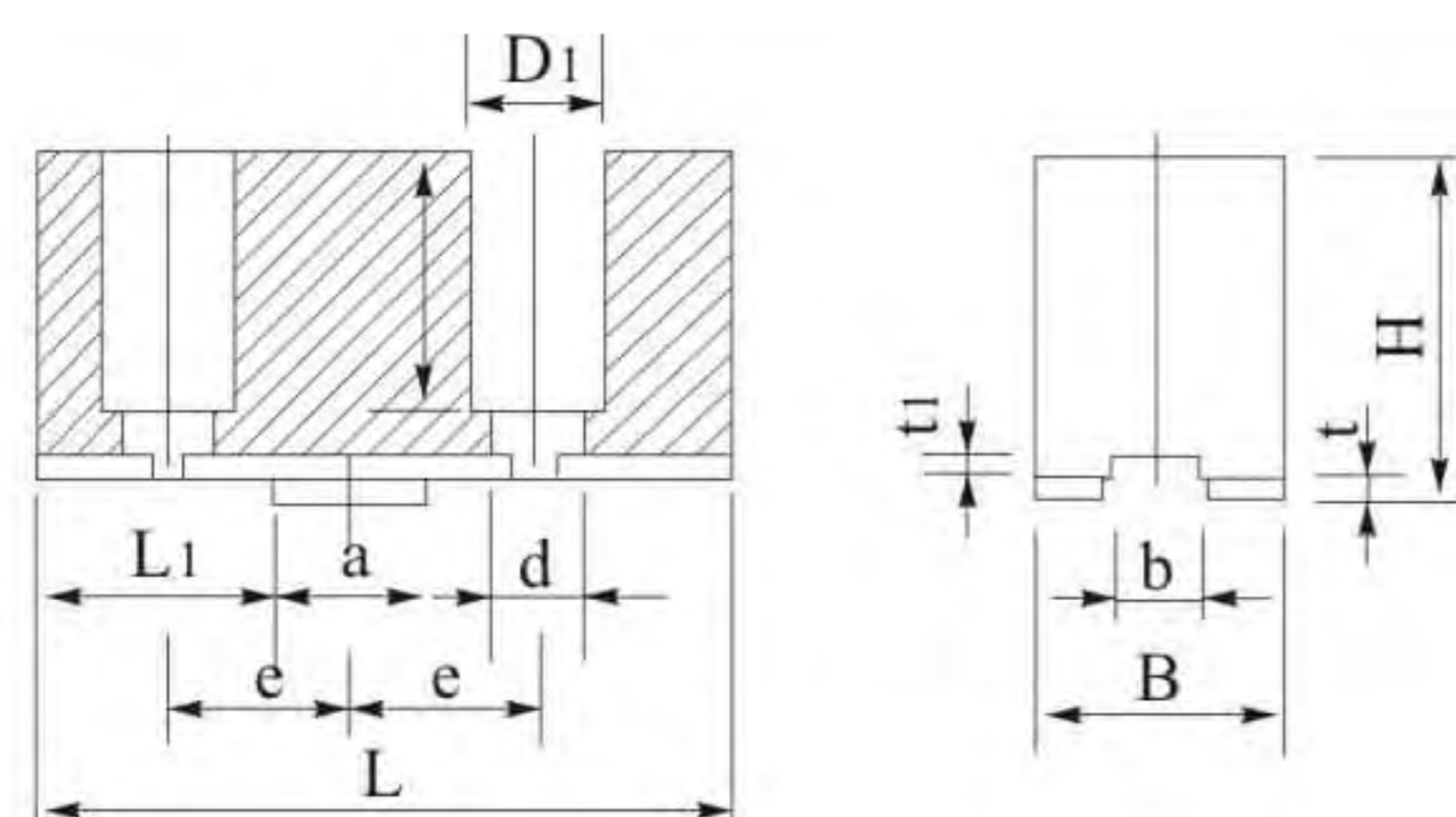
### 说明 Explain

- K11、K10、K12系列卡盘可按用户要求提供各种软卡爪
- All kinds of soft jaws can be provided as the request of customers for K11,K10,K12 series chucks.
- 软卡爪包括：整体软爪和软顶爪
- Soft jaws include one-piece soft jaws and soft top jaws.



### 整体软爪 One-piece soft jaws

型号/规格 MODEL	80	100	125	130	160	165	190	200	240	250	315	380
L	32	43	56	56	70	70	86	86	105	105	130	143
B	12	15	16	16	18.5	18.5	22	22	27	27	36	36
H	33	38	45	45	54	54	61	61	69	69	91	95



### 软顶爪 (A型) Soft top jaws(Type A)

型号/规格 MODEL	L	L1	B	H	a	b	e	t	t1	c	d	D1
160A	74	36	25	47	12.675	7.94	19	3	4	36	11	17
200A	90	43	30	55	12.675	7.94	22.2	3	4	41	11	17
250A	110	50	36	63	19.025	12.7	27	3	4	50	13	20
315A 325A	120	57	45	70	19.025	12.7	31.75	3	4	54	13	20
400A	135	67	45	85	19.025	12.7	38.1	6	4	66	18	26
500A	160	80	50	90	19.025	12.7	38.1	6	4	68	22	33

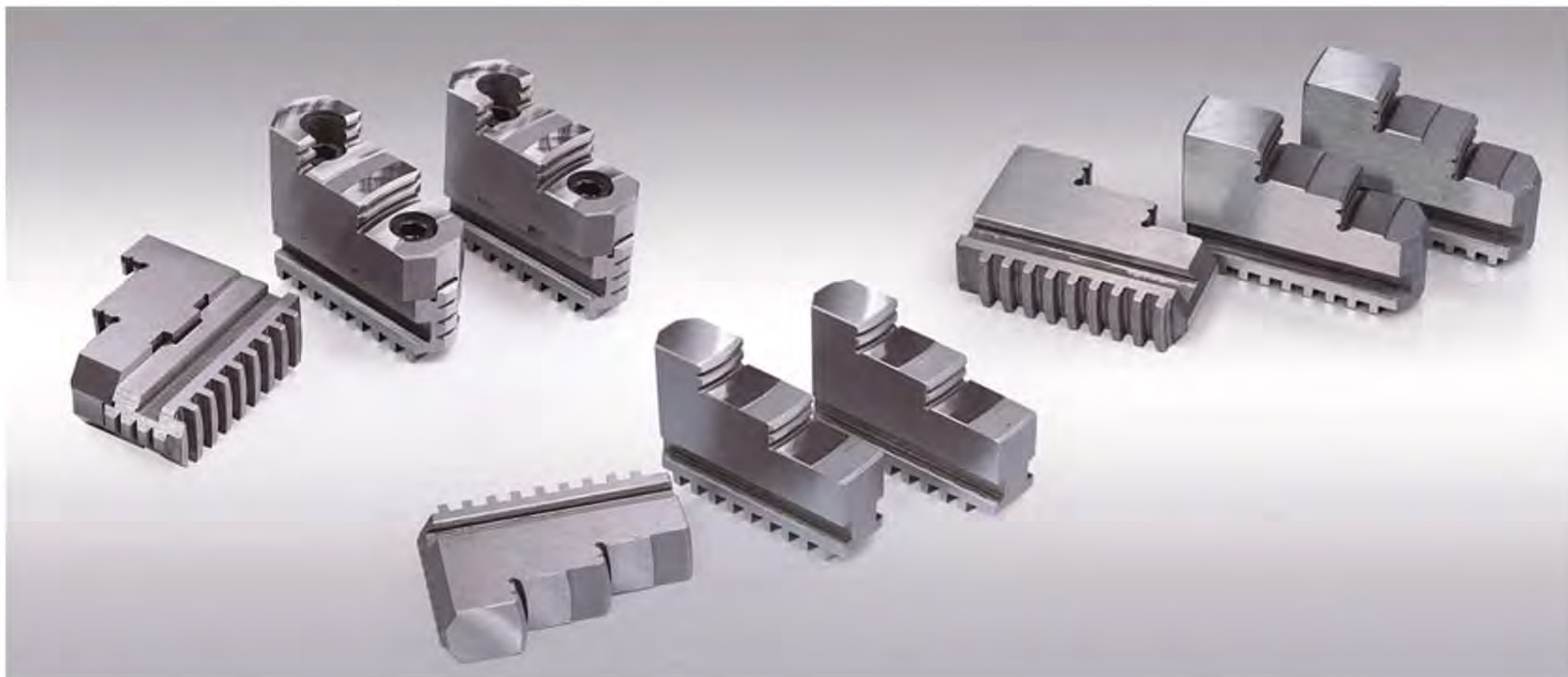


**K11, K11□/□ K15**

**THREE-JAW**

**JAW FOR 3 JAW SELF CENTRING CHUCK**

**三爪自定心卡盘卡爪**

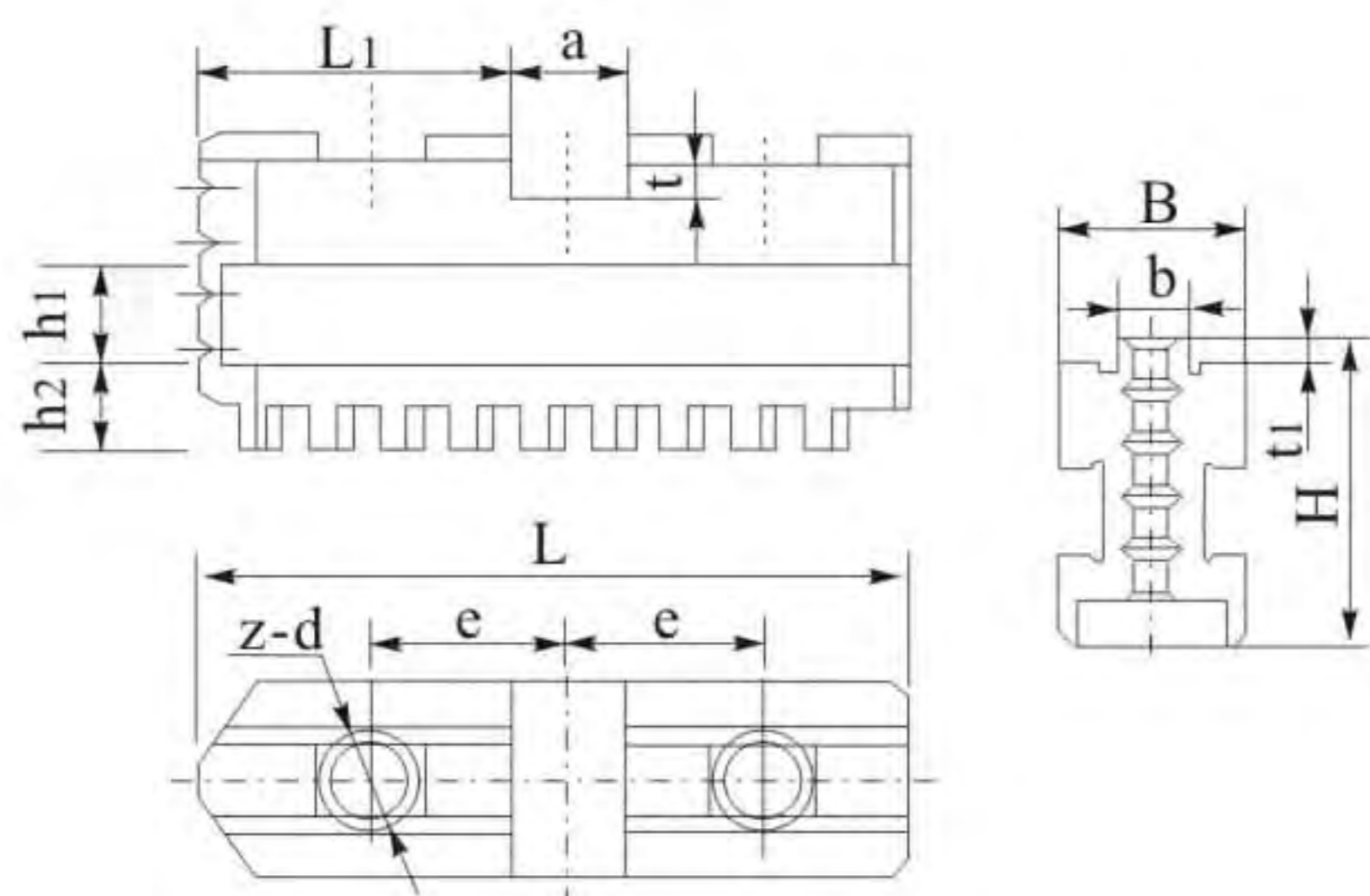
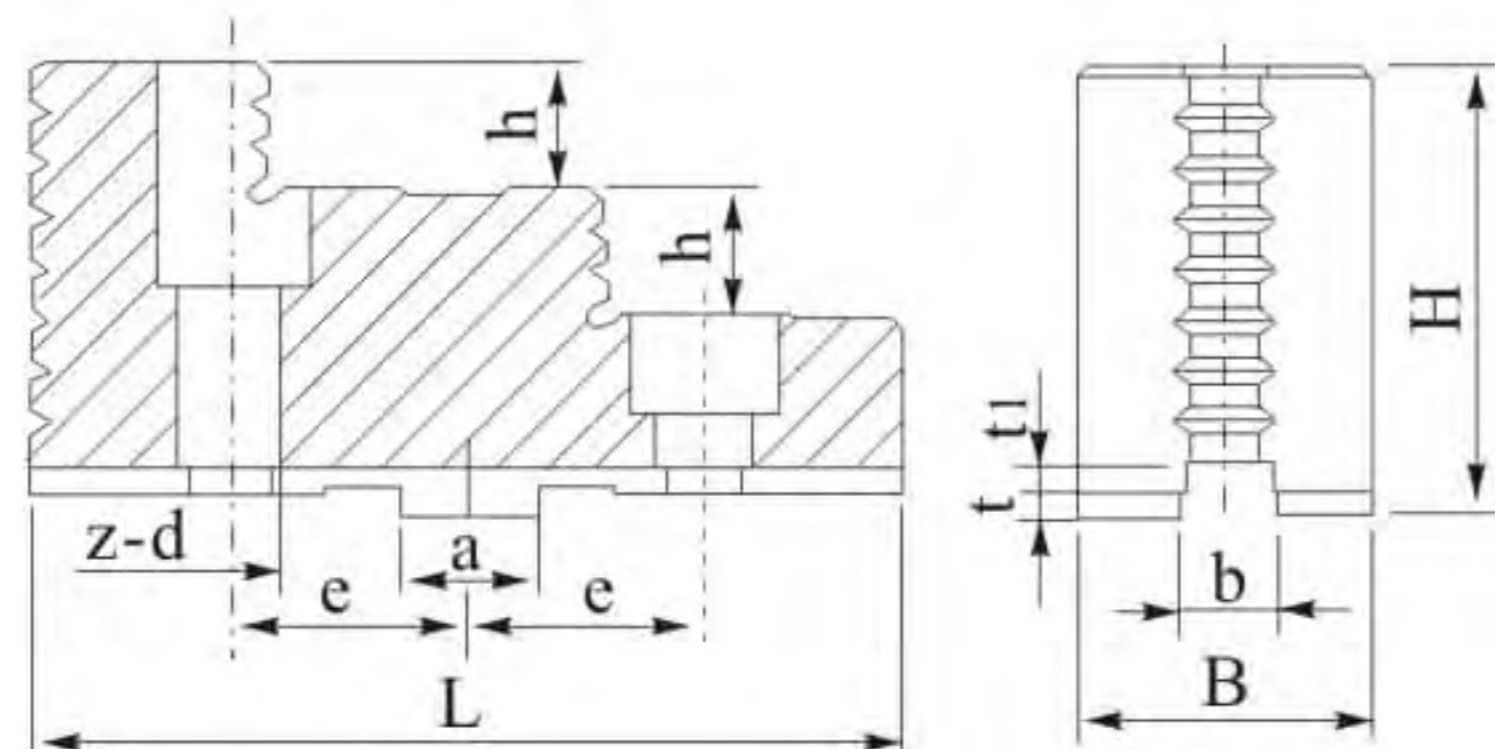
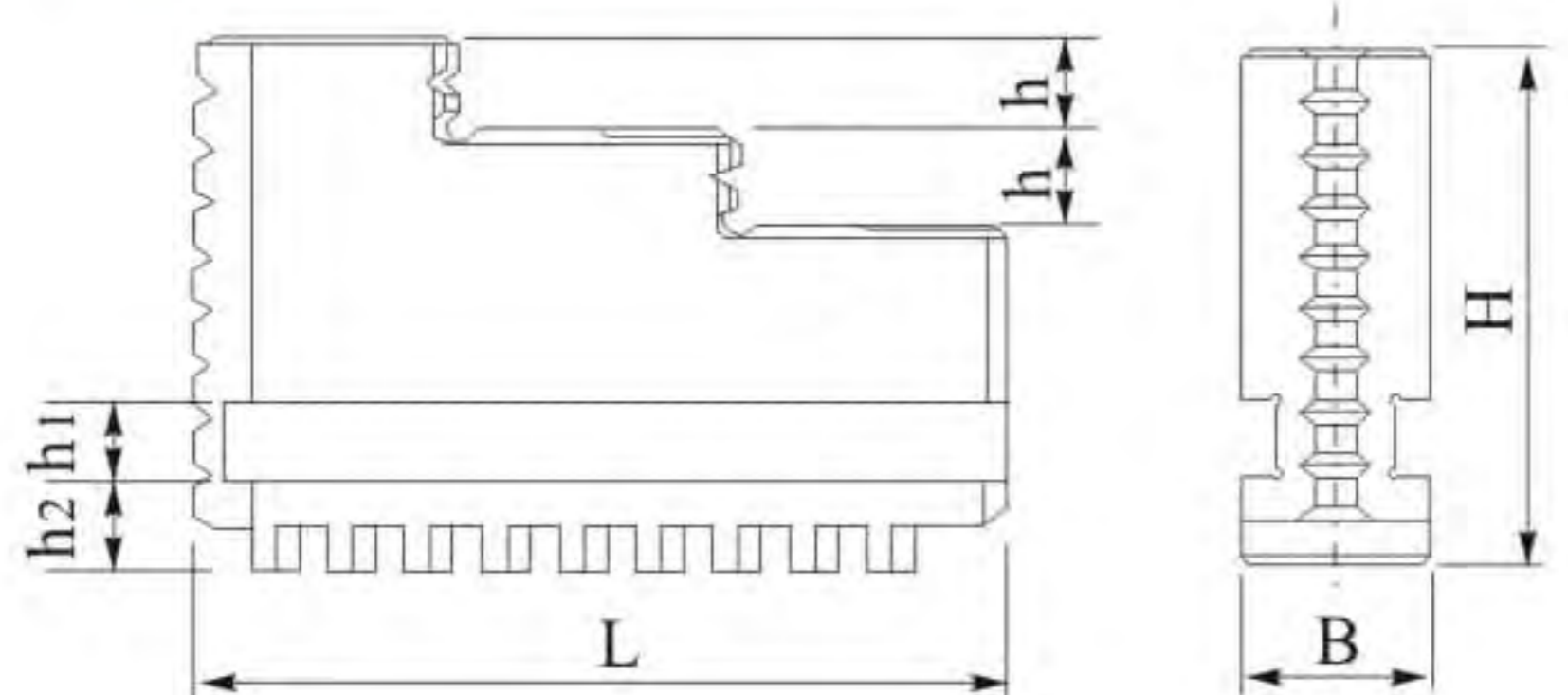


**说明 Explain**

- 卡爪分为：整体爪、分离爪。
- 可按用户要求提供各型号硬卡爪。

- Hard jaws include one-piece jaws and two-piece jaws.
- All kinds of hard jaws can be provided as the request of customers.

**规格表 Specifications**



型号/规格 MODEL	80	100	125	160	200	250	315	400	500
L	32	42	56	70	85	105	125	138	168
B	12	15	16	18.5	22	27	36	36	46
H	33	38	46	54	61	69	86	90	105
h	6.5	7	9	12	12	12	17	17	20
h1	6	6.5	7	9	10	12	13.5	13.5	17
h2	7	8	8	10	10	10	13	13	18

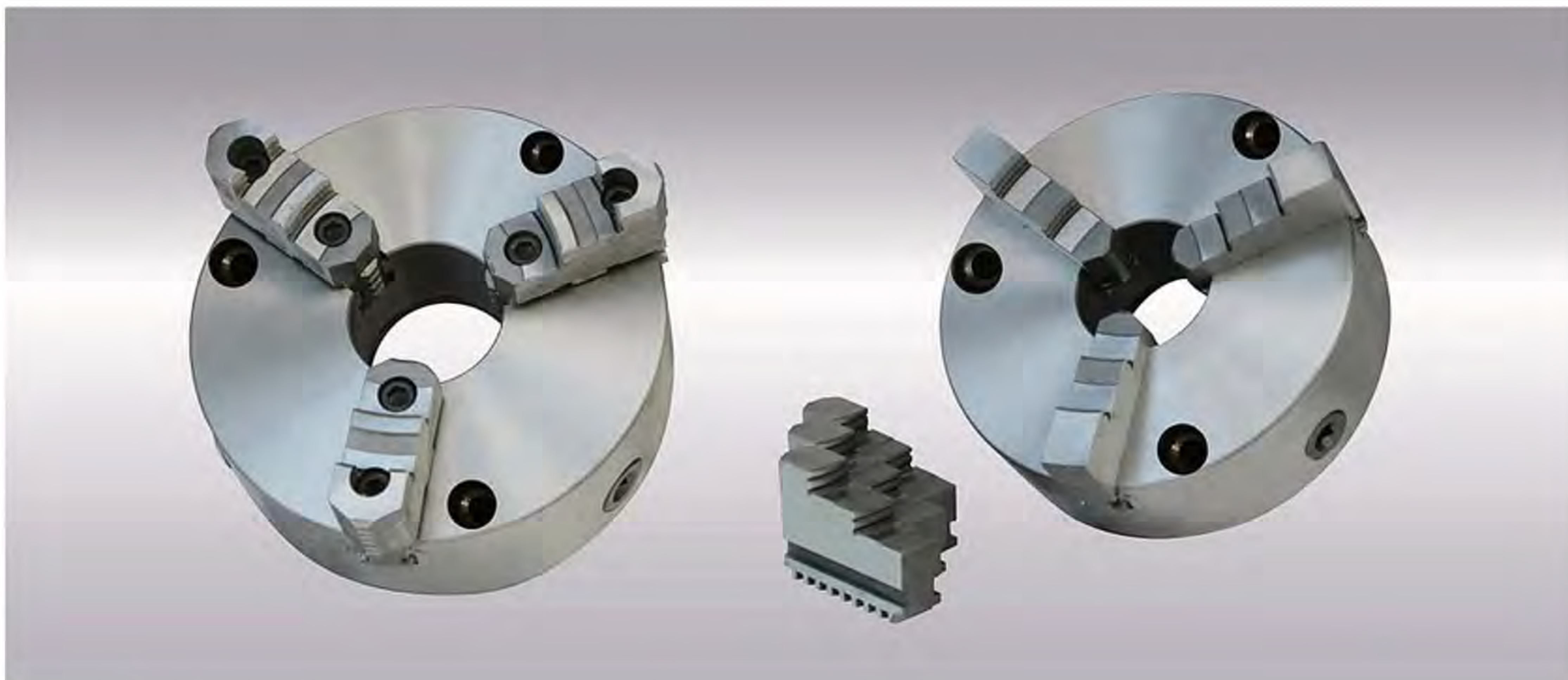
型号/规格 MODEL	160	200	250	320	400	500
L	68	80	96	116	127	130
B	25	30	36	42	45	50
H	41	45	51	62	68	86
h	9	10.5	12.5	17	17	20
a	12.675		19.025			
b	7.94		12.7			
e	19	22.2	27	31.75	38.1	
t	3			6		
t1	4			6		
z-d	2-φ11	2-φ11	2-φ13	2-φ13	2-φ18	2-φ22

型号/规格 MODEL	160	200	250	320	400	500
L	64	80	95	113	127	165
B	20	22	27	36	36	46
H	33	35	35	43	46	55
L1	29	34.9	40	48	57	48.5
a	12.675		19.025			
b	7.94		12.7			
e	19	22.2	27	31.75	38.1	38.1
t	4			7		
t1	3			7		
z-d	2-M10	2-M10	2-M12	2-M12	2-M16	4-M20
h1	9	10	12	13.5	13.5	17
h2	10	10	10	13	13	18

# TK21 THREE-JAW

## FRONT THREE-JAW CHUCK

## 前穿式三爪卡盘



### 说明 Explain

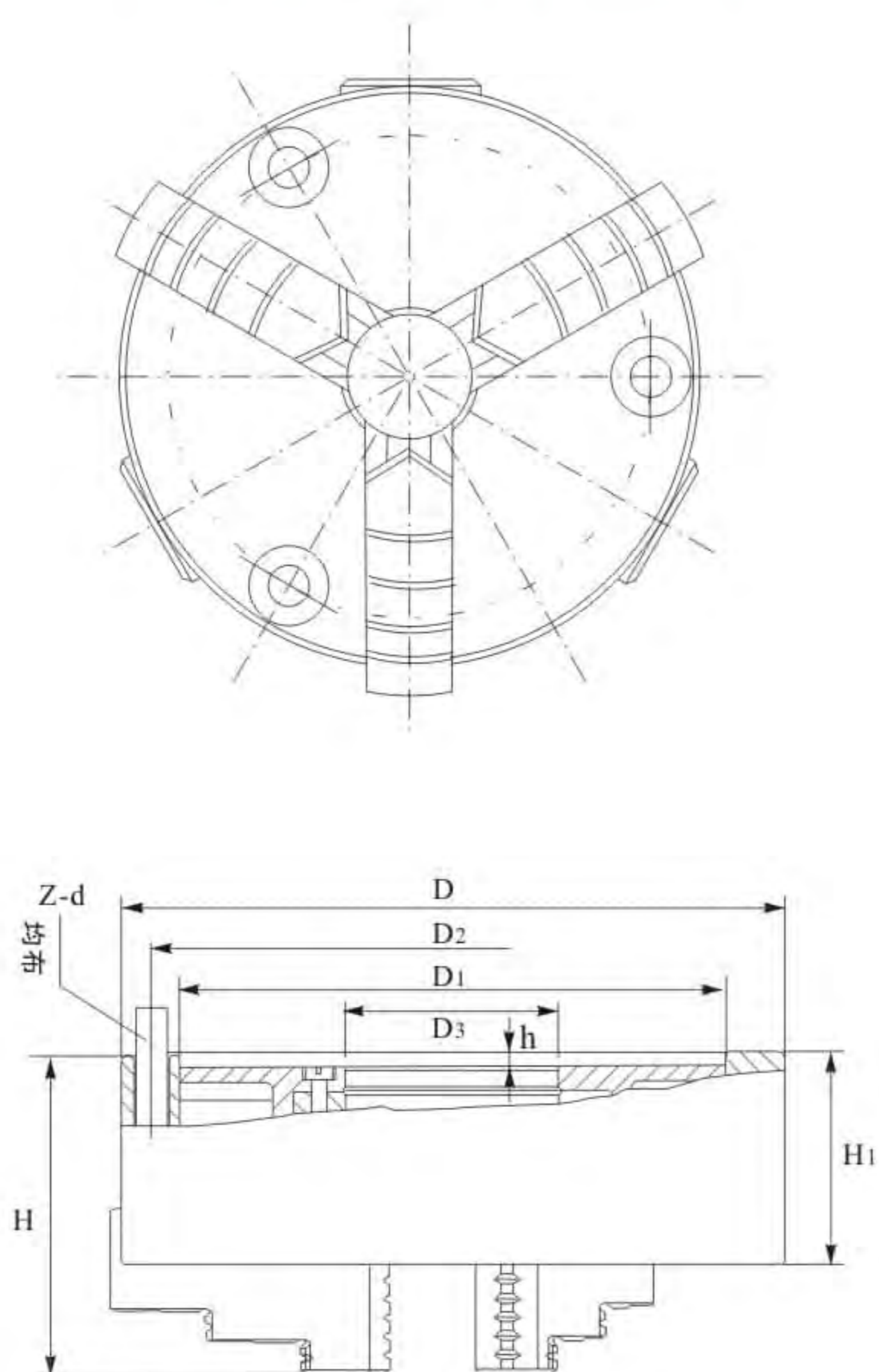
- 前穿式三爪卡盘，是在普通卡盘基础上进行改进，采用前穿螺母锁紧，比起传统结构的卡盘使用的便捷性上有很大的提升。为方便客户使用，同时提供配套的软爪选购。

- Front three-jaw chuck, which is modified based on the common chuck is fastened by front screws. Compared to traditional chucks, its convenience is largely improved. In order to make the use more convenient, it also is optional equipped with soft jaw.

### 规格表 Specifications

型号/规格

SEPC./MODEL	D1	D2	D3	H	H1	h	z-d
TK2180	55	66	16	66	50	3.5	3-M6
TK21100	72	84	22	74.5	55	3.5	3-M8
TK21125	95	108	30	85	58	4	3-M8
TK21130	100	115	30	85	58	4	3-M8
TK21160	130	142	40	95	65	5	3-M8
TK21160A	130	142	40	109	65	5	3-M8
TK21165	130	145	40	95	65	5	3-M8
TK21165A	130	145	40	109	65	5	3-M8
TK21190	155	172	55	109	75	5	3-M10
TK21190A	155	172	55	122	75	5	3-M10
TK21200	165	180	65	109	75	5	3-M10
TK21200A	165	180	65	122	75	5	3-M10
TK21240	195	215	70	120	80	8	3-M12
TK21240A	195	215	70	133	80	8	3-M12
TK21250	206	226	80	120	80	5	3-M12
TK21250A	206	226	80	133	80	5	3-M12
TK21315	260	285	100	142.5	90	6	3-M16
TK21315A	260	285	100	155.5	90	6	3-M16
TK21320	270	290	100	142.5	90	6	3-M16
TK21320A	270	290	100	155.5	90	6	3-M16
TK21325	272	296	100	142.5	90	6	3-M16
TK21325A	272	296	100	155.5	90	6	3-M16
TK21380	325	350	130	155.5	100	6	3-M16
TK21380A	325	350	130	170.5	100	6	3-M16
TK21400	340	368	130	155.5	100	6	3-M16
TK21400A	340	368	130	170.5	100	6	3-M16
TK21500	440	465	200	176	115	6	6-M16
TK21500A	440	465	200	203	115	6	6-M16
TK21630	560	595	260	192	130	7	6-M16
TK21630A	560	595	260	218	130	7	6-M16
TK21800A	710	760	385	249	148	8	6-M20
TK211000A	910	950	460	266	165	8	6-M24
TK211250A	910	950	500	281	180	10	6-M24

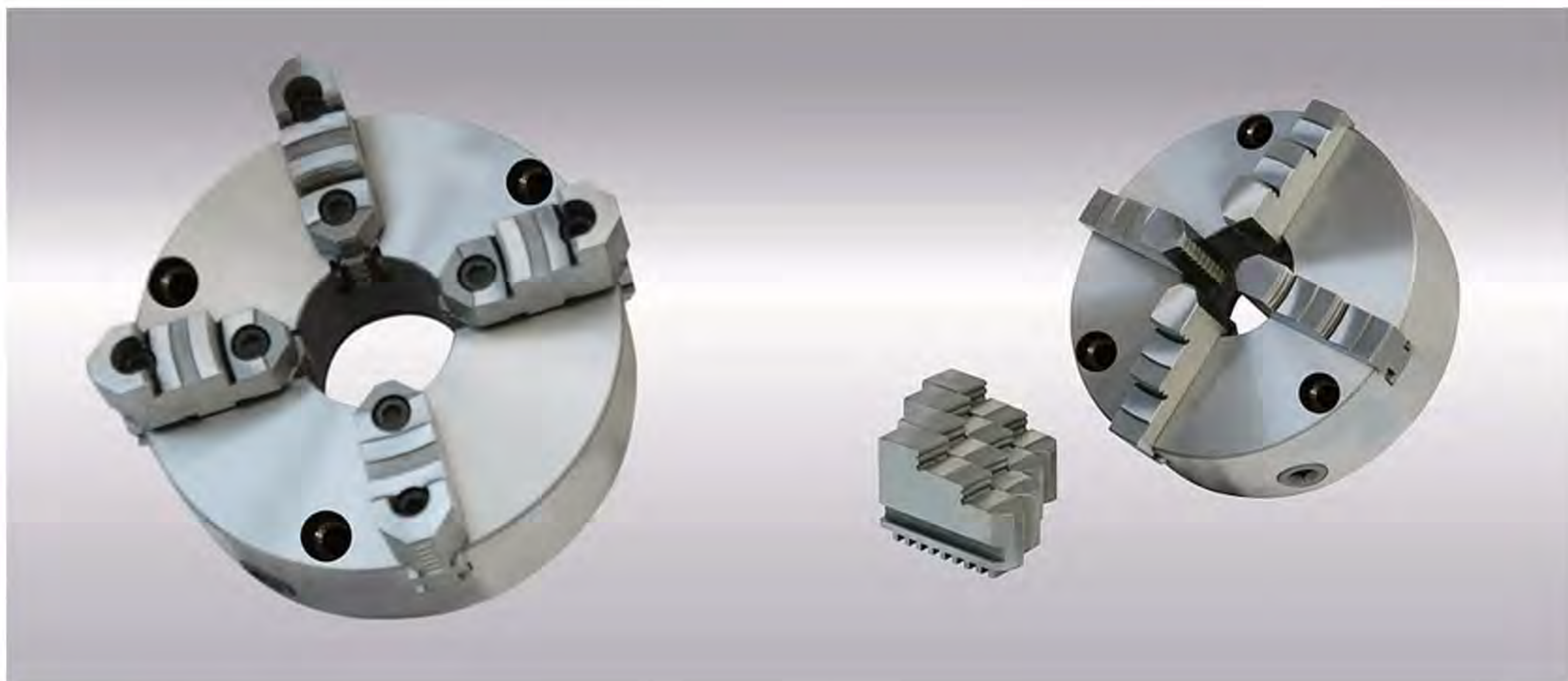


# TK22

# FOUR-JAW

## FRONT FOUR-JAW SELF-CENTERING CHUCK

## 前穿式四爪自定心卡盘



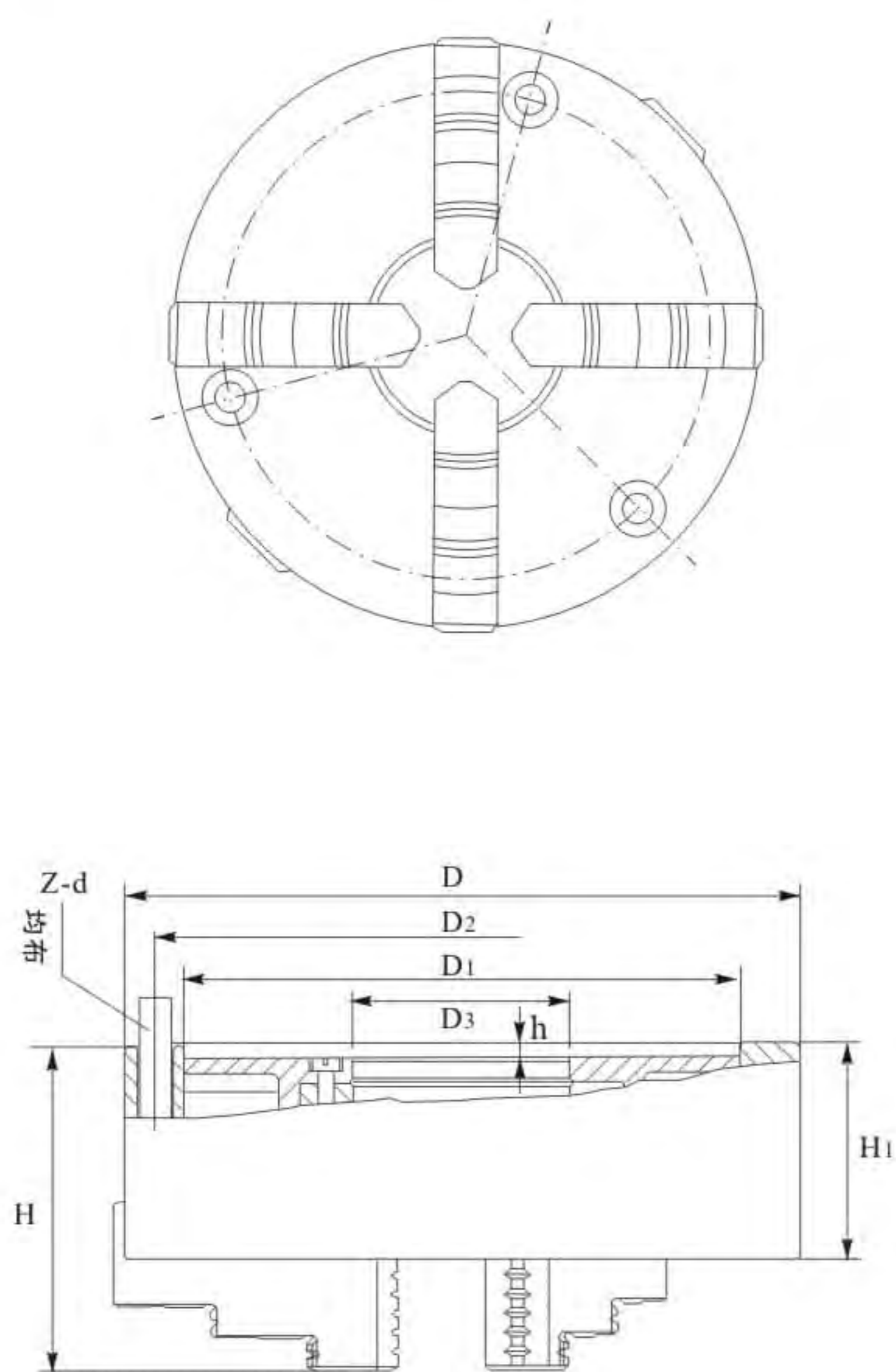
### 说明 Explain

- 前穿式四爪自定心卡盘，是在普通卡盘基础上进行改进，采用前穿螺母锁紧，比起传统结构的卡盘使用的便捷性上有很大的提升。为方便客户使用，同时提供配套的软爪选购。

- Front four-jaw self-centering chuck, which is modified based on the common chuck, is fastened by front screws. Compared to traditional chucks, its convenience is largely improved. In order to make the use more convenient, it also is optional equipped with soft jaw.

### 规格表 Specifications

型号/规格 SEPC./MODEL	D1	D2	D3	H	H1	h	z-d
TK2280	55	66	16	66	50	3.5	3-M6
TK22100	72	84	22	74.5	55	3.5	3-M8
TK22125	95	108	30	85	58	4	3-M8
TK22130	100	115	30	85	58	4	3-M8
TK22160	130	142	40	95	65	5	3-M8
TK22160A	130	142	40	109	65	5	3-M8
TK22165	130	145	40	95	65	5	3-M8
TK22165A	130	145	40	109	65	5	3-M8
TK22190	155	172	55	109	75	5	3-M10
TK22190A	155	172	55	122	75	5	3-M10
TK22200	165	180	65	109	75	5	3-M10
TK22200A	165	180	65	122	75	5	3-M10
TK22240	195	215	70	120	80	8	3-M12
TK22240A	195	215	70	133	80	8	3-M12
TK22250	206	226	80	120	80	5	3-M12
TK22250A	206	226	80	133	80	5	3-M12
TK22315	260	285	100	142.5	90	6	3-M16
TK22315A	260	285	100	155.5	90	6	3-M16
TK22320	270	290	100	142.5	90	6	3-M16
TK22320A	270	290	100	155.5	90	6	3-M16
TK22325	272	296	100	142.5	90	6	3-M16
TK22325A	272	296	100	155.5	90	6	3-M16
TK22380	325	350	130	155.5	100	6	3-M16
TK22380A	325	350	130	170.5	100	6	3-M16
TK22400	340	368	130	155.5	100	6	3-M16
TK22400A	340	368	130	170.5	100	6	3-M16
TK22500	440	465	200	176	115	6	3-M16
TK22500A	440	465	200	203	115	6	6-M16
TK22630	560	595	260	192	130	7	6-M16
TK22630A	560	595	260	218	130	7	6-M16
TK22800A	710	760	385	249	148	8	6-M20
TK22100A	910	950	460	266	165	8	6-M24
TK221250A	910	950	500	281	180	10	6-M24

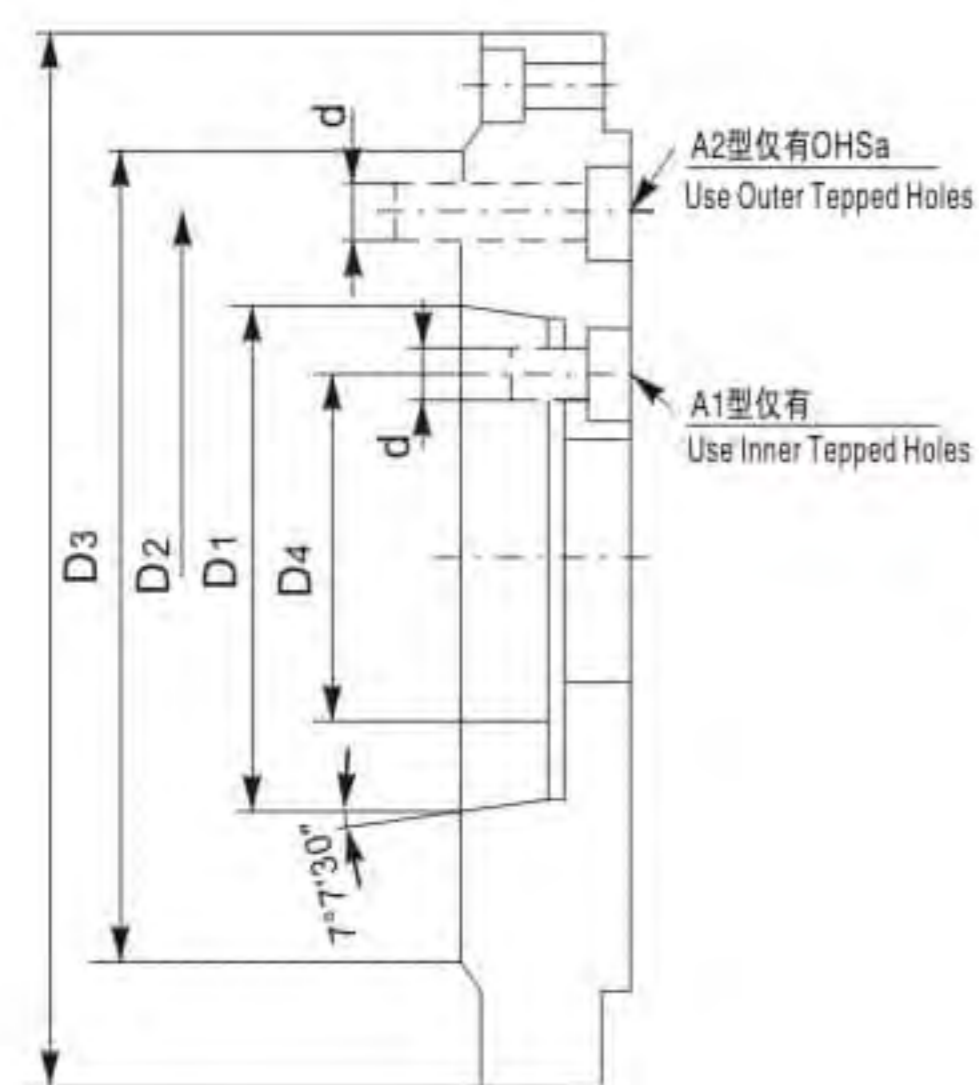


FLANGE PLATE FOR MACHINE TOOL A2-TYPE

机床用法兰盘 A2型



说明 Explain



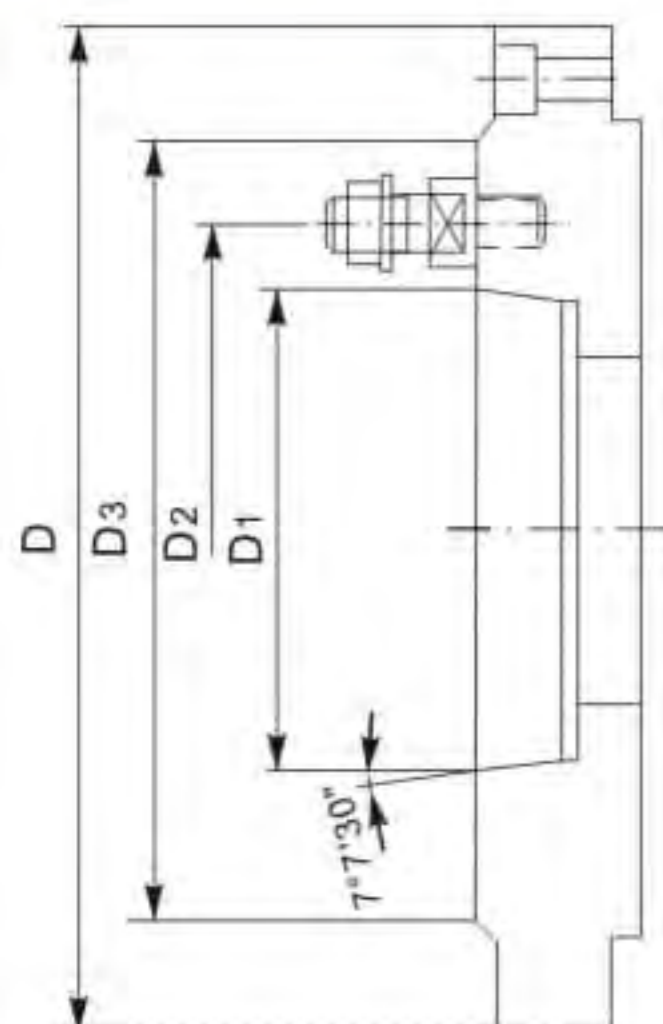
A型 (A1, A2)

- 我公司为客户提供各种连接法兰，如有需要请咨询我公司销售人员。
- Our company provide all kinds of joint flanges, you can consult our sales for any needs.

法兰型号/Flang type	D	D1	D2	D3	D4	d
FL160A2-4	160	63.513	82.6	108	-	-
FL160A2-5	160	82.563	104.8	133	61.9	-
FL200A2-4	200	63.513	82.6	108	-	-
FL200A2-5	200	82.563	104.8	133	61.9	-
FL200A2-6	200	106.375	133.4	165	82.6	-
FL250A2-6	250	106.375	133.4	165	82.6	-
FL250A2-8	250	139.719	171.4	210	111.1	-
FL320A2-6	320	106.375	133.4	165	82.6	-
FL320A2-8	320	139.719	171.4	210	111.1	-
FL320A2-11	320	196.869	235	280	165.1	-
FL400A2-8	400	139.719	171.4	210	111.1	-
FL400A2-11	400	196.869	235	280	165.1	-
FL500A2-11	500	196.869	235	280	165.1	-
FL630A2-11	630	196.869	235	280	165.1	-
FL630A2-15	630	285.775	330.2	380	247.6	-



说明 Explain



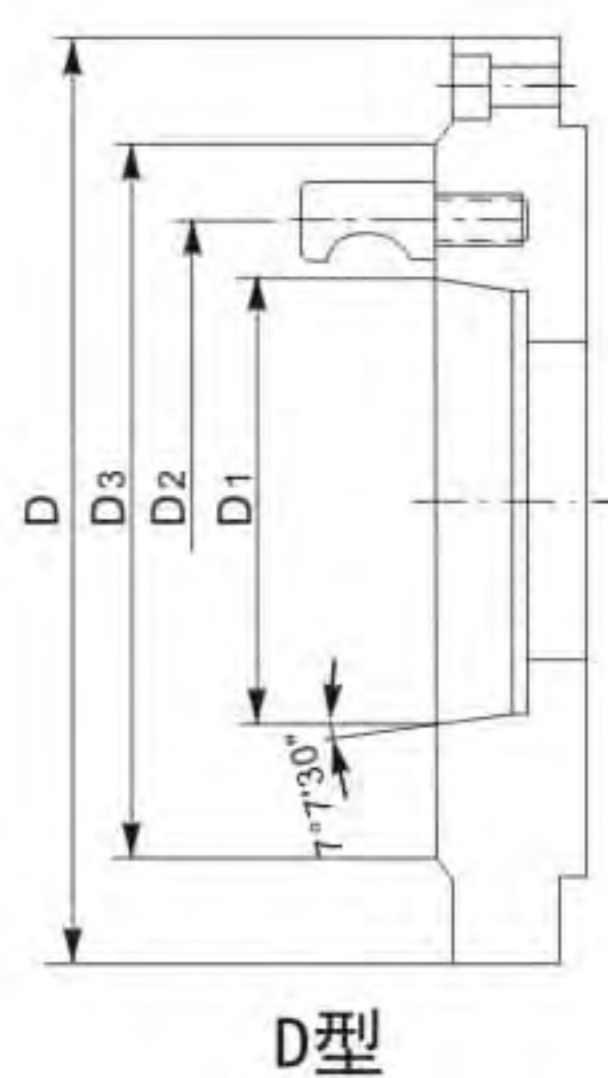
C型

- 我公司为客户提供各种连接法兰，如有需要请咨询我公司销售人员。
- Our company provide all kinds of joint flanges, you can consult our sales for any needs.

法兰型号/Flang type	D	D1	D2	D3	D4	d
FL160C3	160	53.975	75	102	-	-
FL160C4	160	63.513	85	112	-	-
FL160C5	160	82.563	104.8	135	-	-
FL200C4	200	63.513	85	112	-	-
FL200C5	200	82.563	104.8	135	-	-
FL200C6	200	106.375	133.4	170	-	-
FL250C6	250	106.375	133.4	170	-	-
FL250C8	250	139.719	171.4	220	-	-
FL320C6	320	106.375	133.4	170	-	-
FL320C8	320	139.719	171.4	220	-	-
FL320C11	320	196.869	235	290	-	-
FL400C8	400	139.719	171.4	220	-	-
FL400C11	400	196.869	235	290	-	-
FL500C11	500	196.869	235	290	-	-
FL630C11	630	196.869	235	290	-	-
FL630C15	630	285.775	330.2	400	-	-



说明 Explain



- 我公司为客户提供各种连接法兰，如有需要请咨询我公司销售人员。
- Our company provide all kinds of joint flanges, you can consult our sales for any needs.

法兰型号/Flang type	D	D1	D2	D3	D4	d
FL160D3	160	53.975	70.6	92	-	-
FL160D4	160	63.513	82.6	117	-	-
FL160D5	160	82.563	104.8	146	-	-
FL200D4	200	63.513	82.6	117	-	-
FL200D5	200	82.563	104.8	146	-	-
FL200D6	200	106.375	133.4	181	-	-
FL250D6	250	106.375	133.4	181	-	-
FL250D8	250	139.719	171.4	225	-	-
FL320D6	320	106.375	133.4	181	-	-
FL320D8	320	139.719	171.4	225	-	-
FL320D11	320	196.869	235	298	-	-
FL400D8	400	139.719	171.4	225	-	-
FL400D11	400	196.869	235	298	-	-
FL500D11	500	196.869	235	298	-	-
FL630D11	630	196.869	235	98	-	-
FL630D15	630	285.775	330.2	403	-	-